

Tank Modifications & Accessories



Proven Customisation Techniques

Providing solutions to custom tank requirements, Polymaster Industrial offers its experienced assistance in the application of integrated process vessels.

Our dedicated Modifications Team works closely with Process & Hydraulic Engineers to achieve solutions that meet capacity, duty and integration requirements with proven modification methods & practices.

Proven Welding Processes & Methods:

Utilising the latest European Hand-Extrusion welding techniques with installation methods that are backed up by extensive testing, the Modifications Team strive to remove or minimise any compromise to the structural integrity of a tank or vessel.

Qualified Operators:

All operators executing tank or vessel modifications are fully trained and certified to perform Plastic Extrusion Welding operations. Training and Certification provided by a NATA approved training provider.

Applications Expertise:

With applications ranging from the Food Industry to Mining Operations, Polymaster Industrial is well equipped to meet the challenges of Diverse Applications, Configurations and Content Gravities.

Professional Design Assistance:

Assisting you from the Design Phase to Final Commissioning, the Modifications Team will assess in detail the intended duties and offer advice on fittings placement options. Various interconnection and bracketing requirements can also be catered for in-house.

Connection Options



1 PE Welded Stub Flange:

Stub Flange outlets provide a highly rigid connection that is common to most piping systems. Loose backing rings provide easy bolt alignment and are available in galvanised steel or 316 Stainless Steel.

2 PE Welded BSP Adaptors:

For small bore connections where chemical resistance is required, these welded adaptors can be welded into almost any location in the tank wall or roof.

3 Shouldered End Fittings:

Offering quick connect & disconnect functionality, these end fittings are commonly applied to temporary installations. Shouldered End clamp couplings are also available on request.

4 Mechanical outlets:

Available in Polypropylene, 316 Stainless or Brass, mechanical fittings provide a cost effective small bore outlet option. Mechanical fittings can be installed to any flat surface in the tank wall or roof.

5 Fire Authority Outlets:

Approved Fire Authority Outlets are available for Emergency Water Storage installations in VIC, SA & NSW.

Outlet Size Ranges

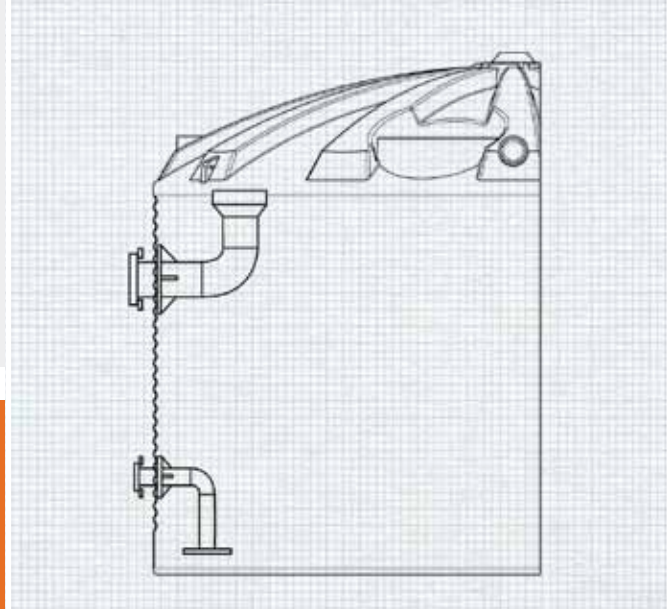
Item	Description
1 PE Welded Stub Flange	<ul style="list-style-type: none"> > Table D: 100mm > 600mm > Table E: 100mm > 600mm > ANSI: 25mm > 600mm > DIN: 25mm > 600MM
2 BSP Adaptor Size Range	<ul style="list-style-type: none"> > " 1/2"/16mm > 4"/100mm
3 Shouldered End Size Range	<ul style="list-style-type: none"> > 50mm > 355mm
4 Mechanical Outlet Size Range	<ul style="list-style-type: none"> > PP: 1"/25mm > 3"/75mm > 316 S/S: 1"/25mm > 4"/100mm > Brass: 1"/25mm > 4"/100mm
5 Fire Service Outlet Size Range	<ul style="list-style-type: none"> > CFA, MFB, & SAFB > 63mm > Storz: 40mm > 100mm > Camlock: 20mm > 150mm

Internal & External Pipework

Anti-Vortex Suction Assemblies:

Designed to prevent Vortex air inclusion when under suction, this assembly also maximises the available tank volume.

Storz 100mm & 150mm firefighting suction assemblies can be built to meet all Fire Authority specifications.



1 Internal Overflow Assemblies:

Providing improved overflow performance with a proven modification technique. This overflow assembly overcomes interior welding access issues while allowing for greater flow rates.



2 Interconnecting Pipework:

Custom pre-fabricated pipework is also offered for tank interconnection or system integration.



3 Vent Options:

Allowing for air displacement and replacement due to changing fluid levels, Our vent options include overflow screens and 180° weather-proof roof vents.

Level Indication & Accessories

Sonar Level Indication

Polymaster Industrial Tanks are available with Mounted Sonar Level Indicators to suit your chosen process control system.



SLI800 >



SLI125 >



Valves

Valves suitable for tank isolation, flow check and level control are available as packaged accessories with your Polymaster Industrial tank or vessel.



< GATE VALVES



< STAINLESS BALL VALVES



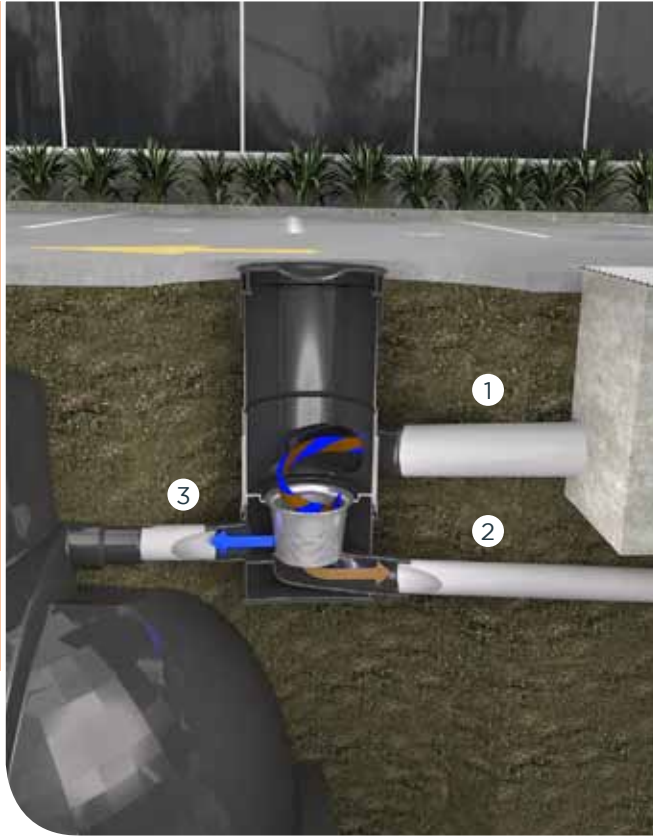
< CHECK VALVES



- 1 LST19 Liquid Sight Tube**
For visual monitoring of Low Viscosity Fluids.
- 2 DPK1 Dipstick Indicator**
Provides 360° Visibility and no metal wetted parts.
- 3 LT01 Levetator**
Float Indicator for non-corrosive liquids. This Indicator shows actual fluid levels.
- 4 LD01 Level Devil**
Float Indicator Suitable for corrosives, with no wetted metal parts.

* Shown with optional indicator guide post

Vortex Fine Filter



- ↑ 1 RAINWATER
- 2 STORMWATER
- 3 TANKWATER

Unique innovative Rainwater Filtering by Vortex Adhesion for Underground Tank Storage.



How the Vortex Works

Fitted to a horizontal drain pipe, it filters and diverts the rainwater to a storage tank.

The incoming rainwater runs out of the horizontal drain pipe into the side of the Filter and is then led in a vortex to the filter housing below.

There the rainwater is drawn through the vertically placed fine filter by adhesion and is led through the outlet to the storage area, whilst the debris is rinsed away with the remaining water to drain.

Vortex Fine Filters

Code	Description
URVFO1	100mm Vortex Fine Filter (A)
URVF15	150mm Vortex Fine Filter (B)
URVF30	300mm Vortex Fine Filter (C)

Special Features

- > Capture more than 90% while cleaning your filter as well.
- > Filtering to 0.44 mm all by gravity.
- > Withstands up to 30 tonne vehicles.
- > Extension risers available for deeper underground installation.
- > Ideally used with Polymaster Underground Tanks

