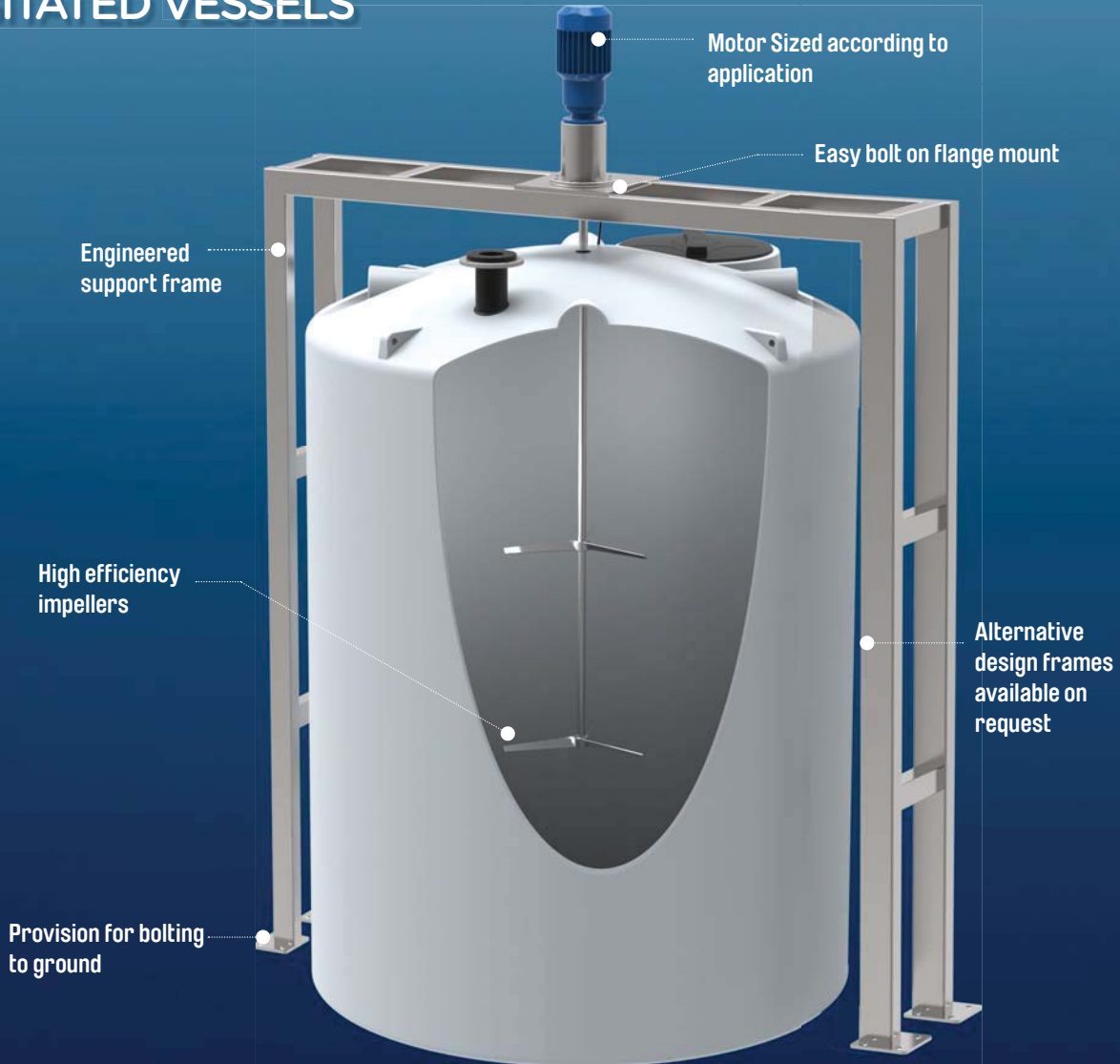
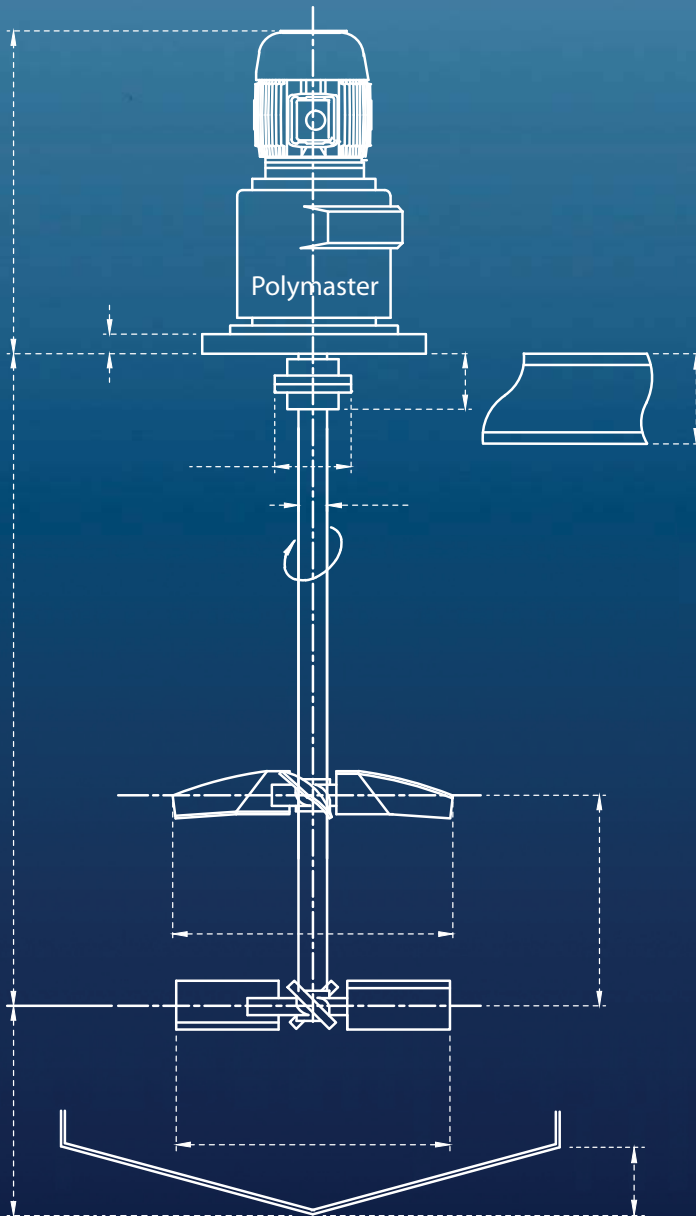


AGITATED VESSELS

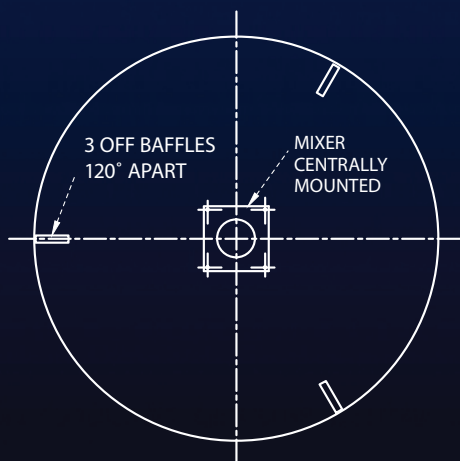


CAD DRAWINGS
AVAILABLE

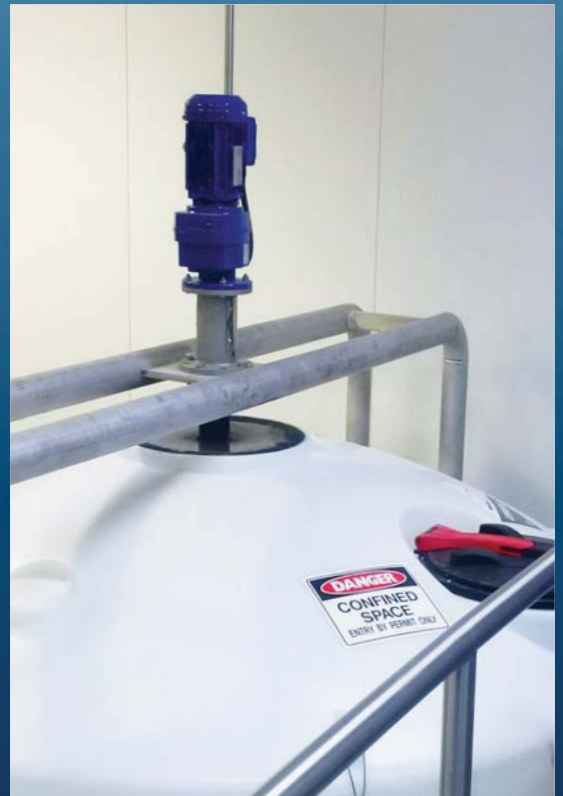




ALL AGITATORS ENGINEERED TO MEET SPECIFIC APPLICATIONS



IN-TANK BAFFLE ARRANGEMENT



TO ENSURE THE CORRECT AGITATOR CAN BE SIZED AND ENGINEERED, THE FOLLOWING INFORMATION IS REQUIRED:

- Details of products being mixed
- Specific Gravity of mixed liquid
- Specific Gravity of solids
- Viscosity of liquid
- Solid particle size
- Agitation application
-eg. Suspend Solids

