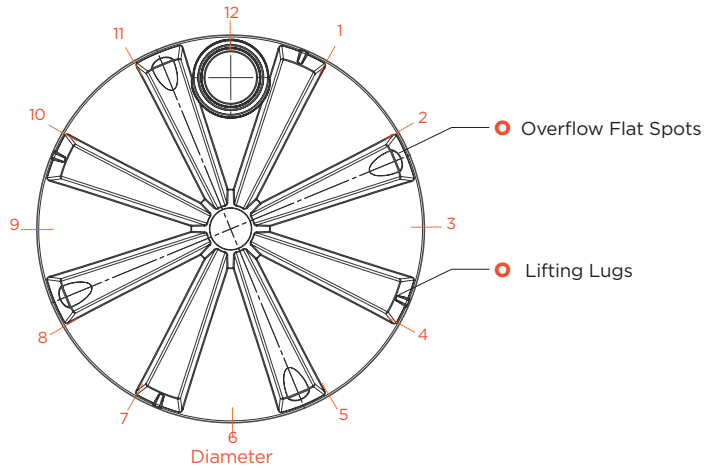
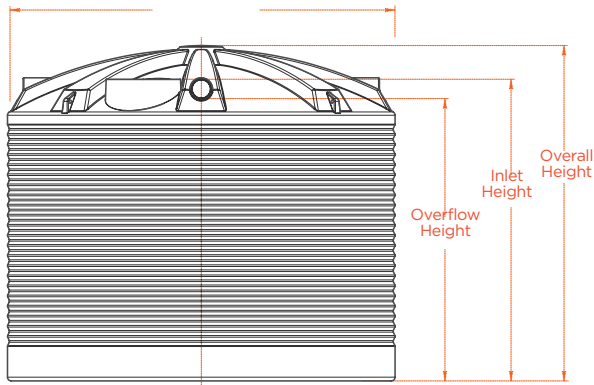


# TANK SPECIFICATIONS

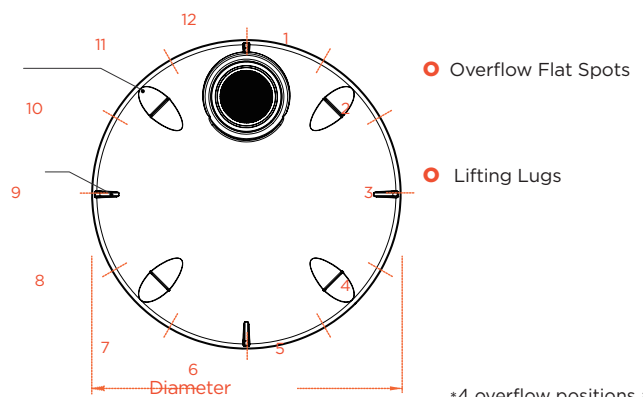
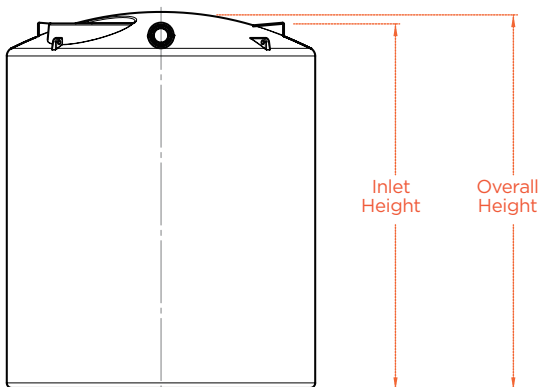
## CERTIFIED ROUND TANKS



CODE	DIAMETER	OVERALL HEIGHT	INLET HEIGHT	STRAINER (POSITION, SIZE)	OVERFLOW (ALTERNATIVE)	OUTLET (Std) (POSITION, SIZE)
RWT200	.60m (1'11")	.90m (2'11")	.90m (2'11")	Centre, 200mm	12.00	6.00, 25mm
RWT600	1.00m (3'3")	.95m (3'1")	.95m (3'1")	Centre, 200mm	12.00	6.00, 25mm
RWT1000	1.00m (3'3")	1.50m (4'11")	1.50m (4'11")	Centre, 200mm	12.00	6.00, 25mm
RWT1600	1.25m (4'1")	1.61m (5'3")	1.50m (4'11")	12.00, 300mm	11.00/4.00	6.00, 25mm
RWT2270T	1.30m (4'3")	2.00m (6'6")	1.92m (6'4")	12.00, 300mm	11.00/5.00	6.00, 25mm
RWT2270LP	1.70m (5'8")	1.31m (4'3")	1.20m (3'11")	12.00, 400mm	11.00/4.00	6.00, 25mm
RWT3300	1.52m (5')	2.10m (6'10")	2.00m (6'6")	12.00, 300mm	11.00/4.00	6.00, 25mm
RWT4500T	1.70m (5'8")	2.20m (7'3")	2.10m (6'10")	12.00, 400mm	11.00/4.00	6.00, 25mm
RWT4500LP	2.15m (7'2")	1.58m (5'2")	1.38m (4'6")	12.00, 400mm	11.00/3.00/7.00	6.00, 25mm
RWT5000	1.95m (6'5")	2.17m (7'2")	1.96m (6'5")	12.00, 400mm	11.00/3.00/7.00	6.00, 25mm
RWT7100	2.15m (7'2")	2.30m (7'5")	2.12m (7')	12.00, 400mm	11.00/3.00/7.00	6.00, 40mm
RWT9000	2.50m (8'2")	2.26m (7'5")	2.05m (6'9")	12.00, 400mm	11.30/2.30/5.30/8.30	6.00, 40mm
RWT13600	3.10m (10'2")	2.45m (8')	2.10m (6'11")	12.00, 400mm	11.00/2.00/5.00/8.00	4.00, 40mm
RWT22500	3.56m (11'8")	2.8m (9'2")	2.47m (8'1")	12.00, 400mm	11.30/2.30/5.30/8.30	4.00, 40mm
RWT31700	4.10m (13'4")	3.04m (10')	2.61m (8'7")	12.00, 400mm	11.30/2.30/5.30/8.30	4.00, 40mm
RWT50KL	4.60m (15'1")	3.44m (11'03")	3.29m (10'10")	12.00/6.00, 500mm	2:00/4:00/6:00/8:00/10:00/12:00	4.00, 40mm

\* Any outlet can be chosen

## POLYCHOICE TANKS



CODE	LITRES	DIAMETER	INLET HEIGHT	OVERALL HEIGHT	STRAINER (POSITION, SIZE)	OVERFLOW	OUTLET (POSITION, SIZE)
PCR2000	2000ltr	1175mm	2185mm	2255mm	12:00, 300mm	10:30	6:00, 25mm
PCR4000	4000ltr	1600mm	2150mm	2200mm	12:00, 400mm	10:30	6:00, 25mm
PCR5000	5000ltr	1800mm	2120mm	2200mm	12:00, 400mm	10:30	6:00, 25mm
PCR7000	7000ltr	2200mm	2020mm	2200mm	12:00, 400mm	10:30	6:00, 25mm
PCR10000	10000ltr	2480mm	2170mm	2350mm	12:00, 400mm	10:30	6:00, 40mm
PCR13500	13500ltr	2830mm	2470mm	2630mm	12:00, 500mm	10:30	6:00, 40mm
PCR22500	22500ltr	3573mm	2559mm	2879mm	12:00, 500mm	10:30	6:00, 40mm
PCR27000	27000ltr	3573mm	3019mm	3339mm	12:00, 500mm	10:30	6:00, 40mm
PCST2000 (slim)*	2000ltr	2290L x 600W x 2050H			*See Slendastyle Diagram	12:00 & 6:00	6:00 & 12:00, 25mm
PCST3000 (slim)*	3000ltr	2570L x 790W x 2050H			*See Slendastyle Diagram	12:00 & 6:00	6:00 & 12:00, 25mm