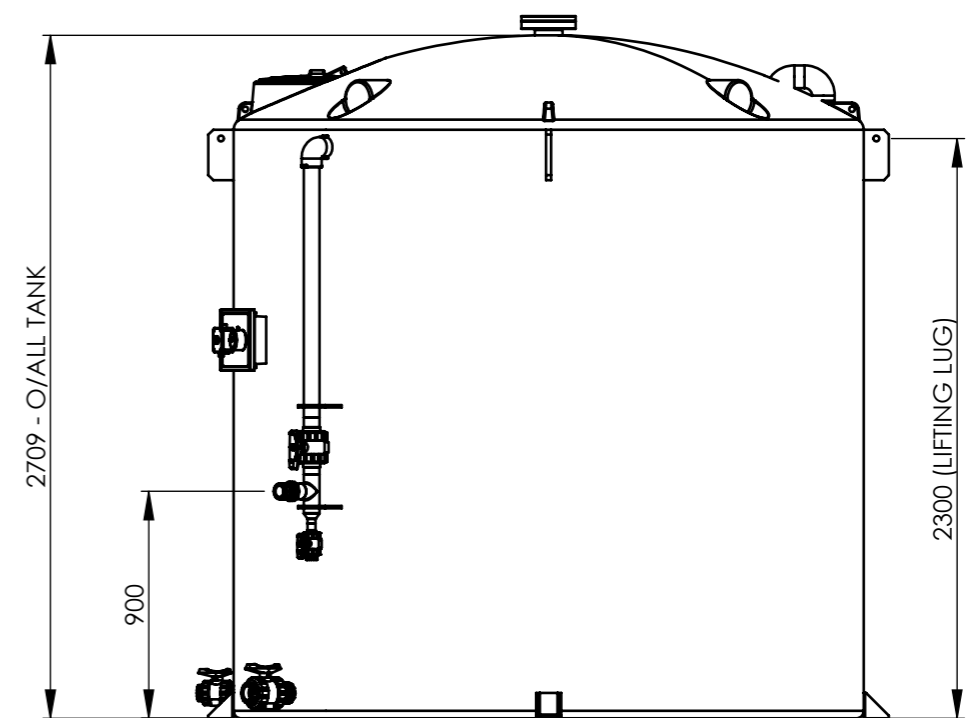
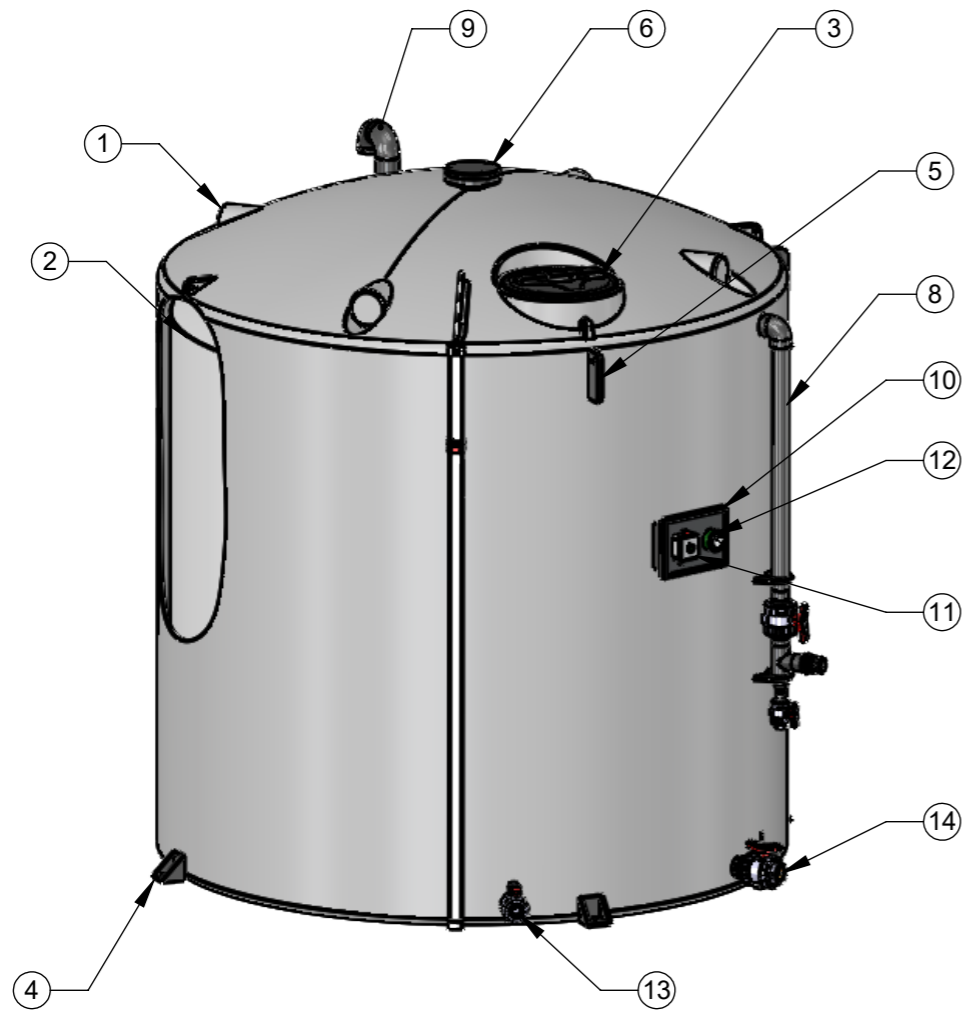
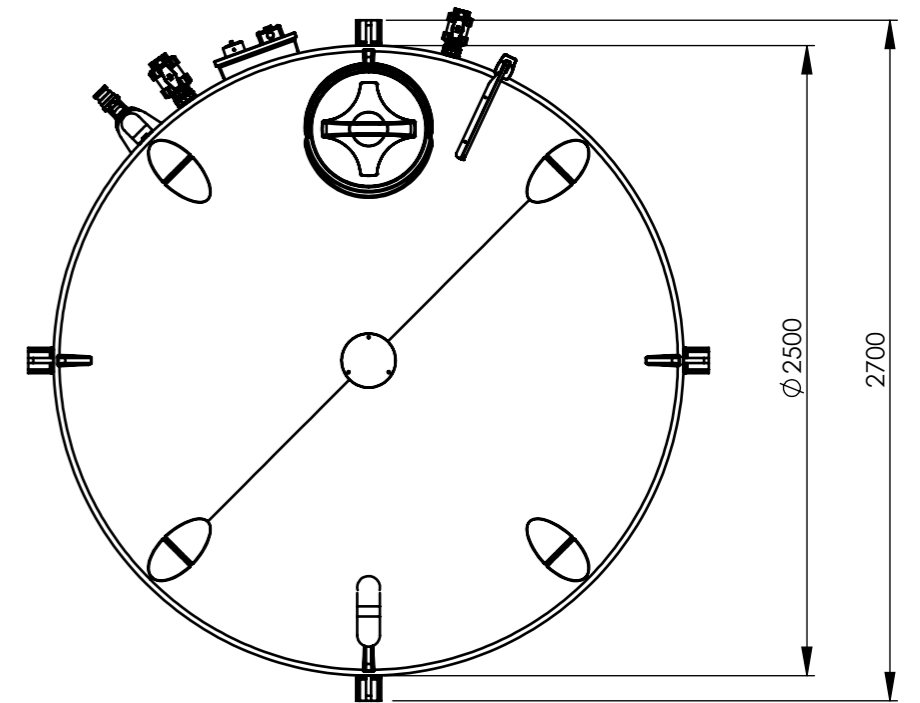


ITEM NO.	Product Code	DESCRIPTION	Cut Section/QTY.
1	SRR13500TBLGY	Outside Tank	1
2	SR10000LBNAT	Internal Tank	1
3	SL8-NV	Screw Lid Assembly 455mm - No Vent	1
4	BDL100	Bolt Down Lug 100mm	4
5	LLUG	Lifting Lug HDPE	4
6	BPF110-F	Level Transmitter Mount	1
7	LQ01	Liquidator - Mechanical Level Indicator	1
8	TFA50V	Top Fill Assembly	1
9	SCV90	Shepherds Crook Vent 90PE	1
10	NPP-F	Name Plate Panel	1
11	GIZOFA	High Level Alarm - Gizmo 9V Battery	1
12	BA-I	Bund Alarm - Industrial	1
13	-	40mm Bund Drain c/w 1.5 Inch PVC-U Ball Valve	1
14	-	50mm Tank Outlet c/w 2 Inch PVC-U Ball Valve	1
15	SL5-NV	Screw Lid Assy 355mm -No Vent (Internal)	1



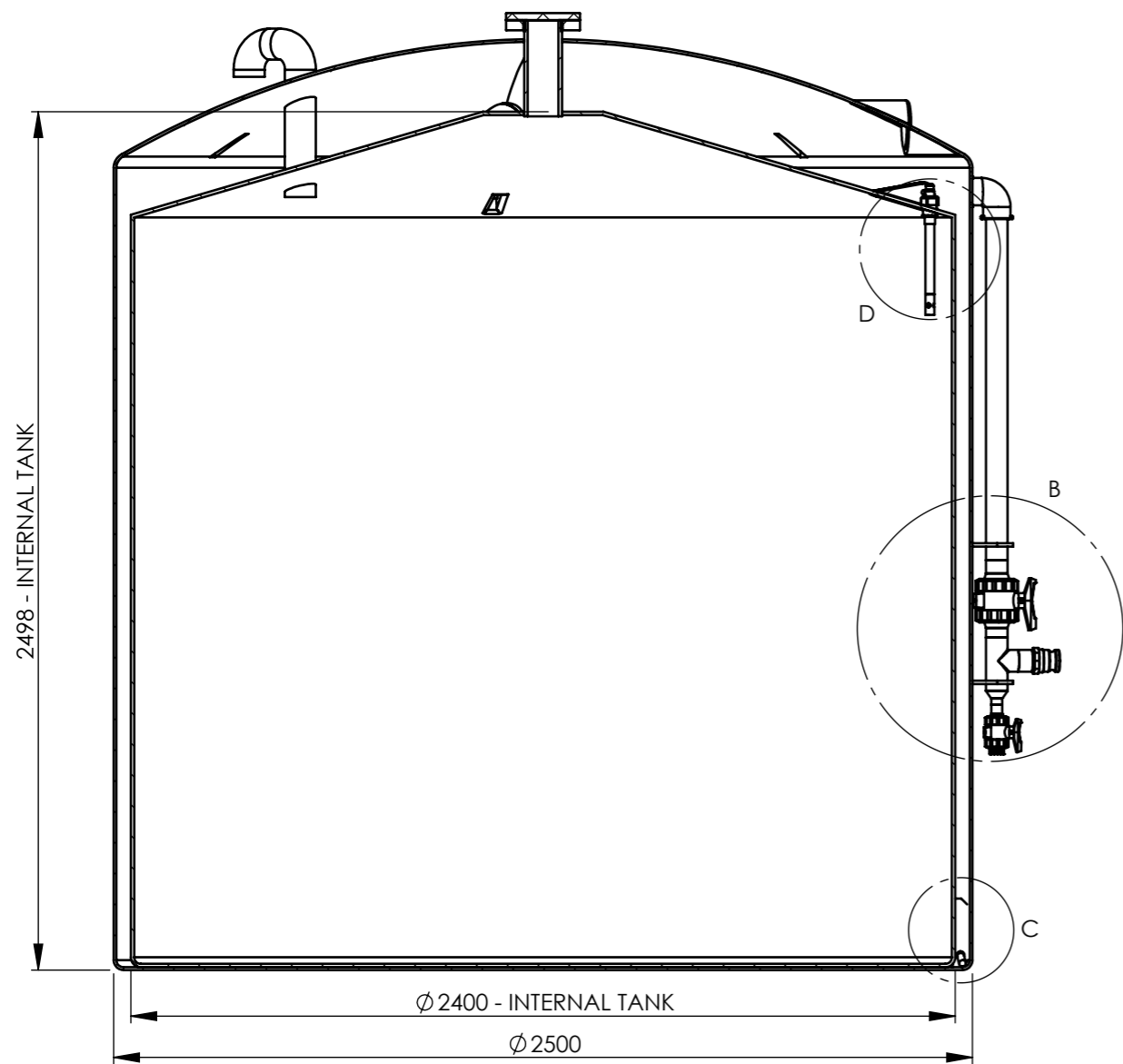
NOTE: ALL TOLERANCES UNLESS OTHERWISE STATED $\pm 10\text{mm}$ / $\pm 1^\circ$
DO NOT SCALE, USE DIMENSIONS. ALL DIMENSIONS ARE IN mm

This drawing is the property of Polymaster Group Pty. Ltd. It cannot be copied in part or in full without the written permission of Polymaster Group Pty. Ltd.

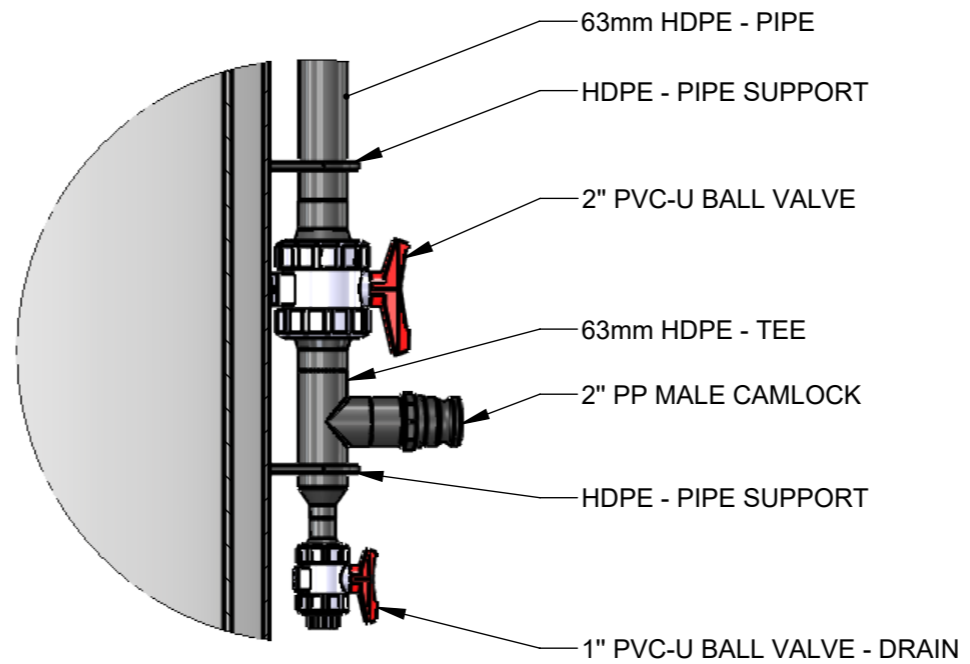


161 KARINIE STREET
SWAN HILL. VIC.
3585
Ph: (03) 5033 9000
Fx: (03) 5033 0224

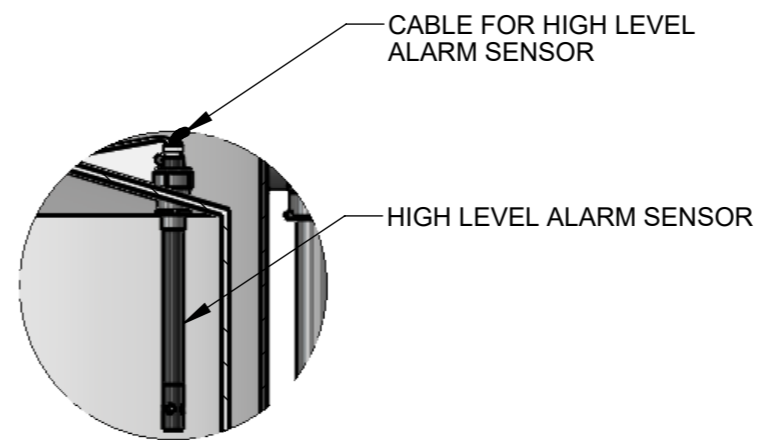
DESCRIPTION	10000L Self Bunded Tank	A3 SHEET SIZE	SCALE: NTS
PRODUCT CODE	BPST10000		
MATERIAL	Optional		
COLOUR	Light Grey		
© POLYMASTER GROUP		DRAWN	AC 15-May-18 1/2 Rev: A



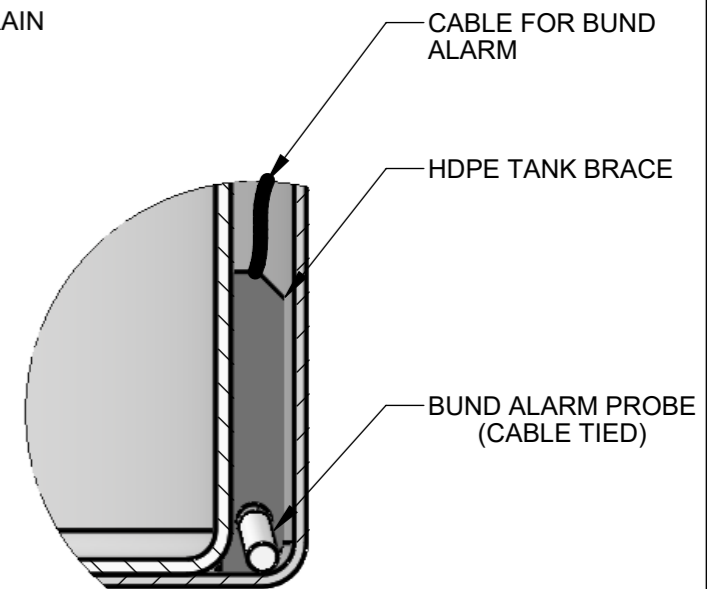
SECTION A-A
SCALE 1 : 20



DETAIL B
TOP FILL ASSEMBLY
SCALE 1 : 10



DETAIL D
HIGH LEVEL ALARM SENSOR
(FOR VISUAL REPRESENTATION ONLY)
SCALE 1 : 10



DETAIL C
BUND ALARM PROBE
(FOR VISUAL REPRESENTATION ONLY)
SCALE 1 : 5

NOTE: ALL TOLERANCES UNLESS OTHERWISE STATED $\pm 10\text{mm} / \pm 1^\circ$
DO NOT SCALE, USE DIMENSIONS. ALL DIMENSIONS ARE IN mm

This drawing is the property of Polymaster Group Pty. Ltd. It cannot be copied
in part or in full without the written permission of Polymaster Group Pty. Ltd.



161 KARINIE STREET
SWAN HILL. VIC.
3585
Ph: (03) 5033 9000
Fx: (03) 5033 0224

DESCRIPTION	10000L Self Bunded Tank
PRODUCT CODE	BPST10000
MATERIAL	Optional
COLOUR	Light Grey
© POLYMASTER GROUP	

A3 SHEET SIZE	SCALE: NTS
DRAWN	AC 15-May-18 2/2 Rev: A