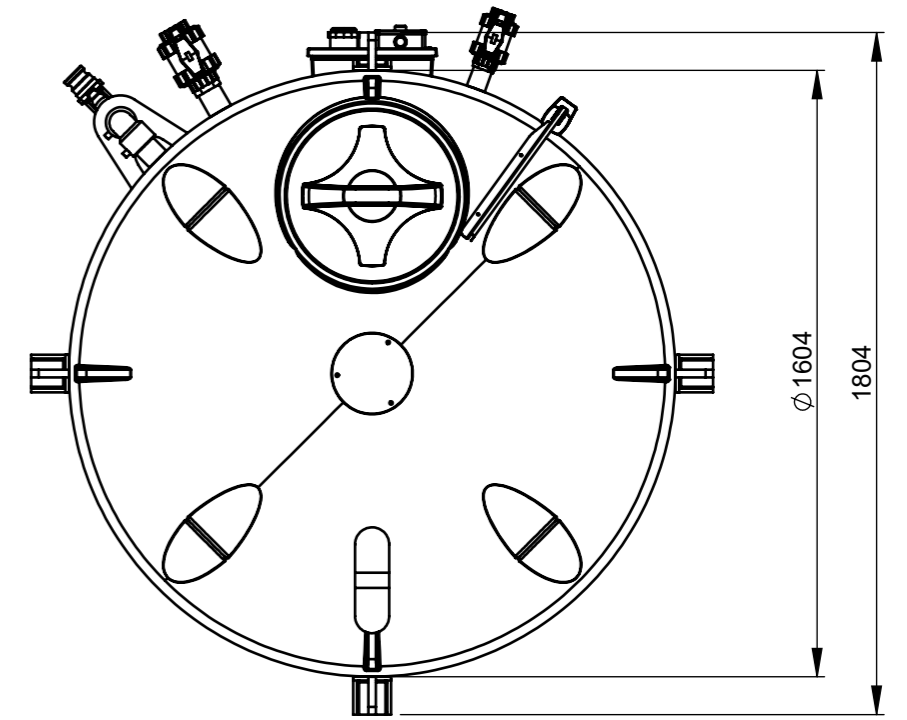
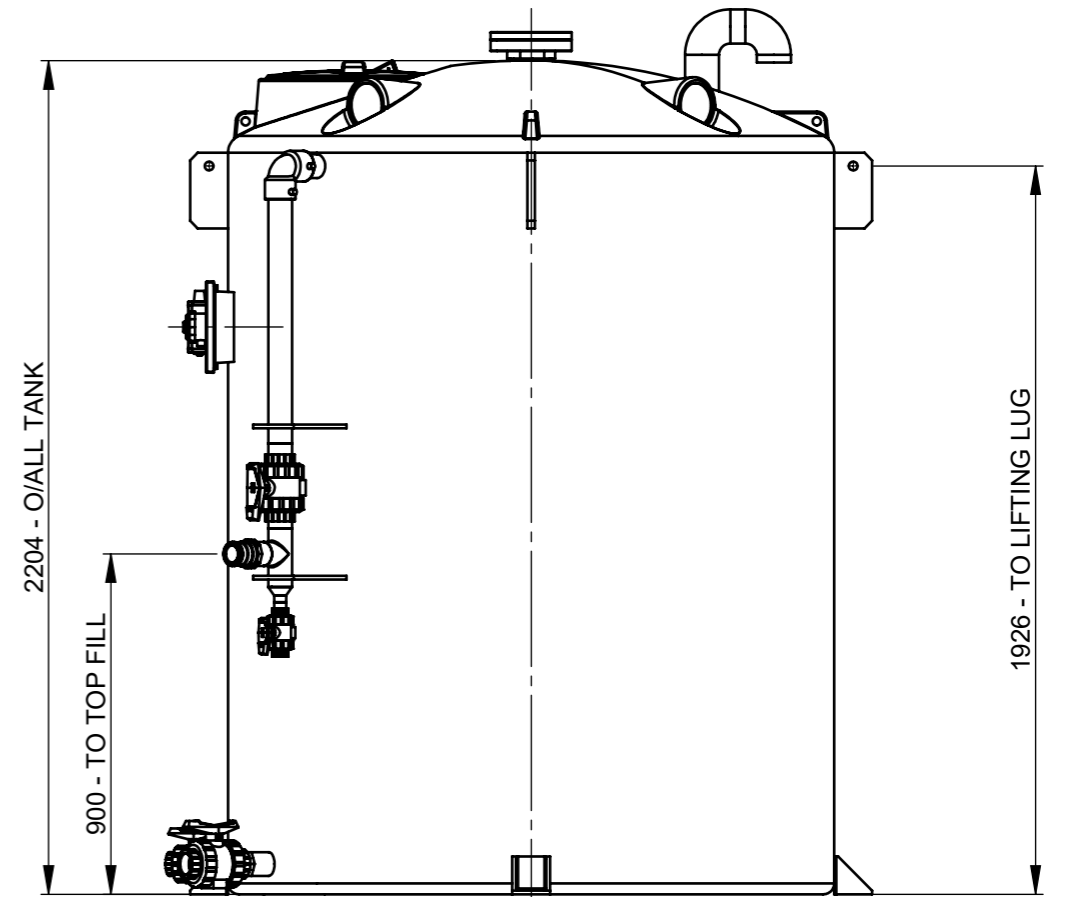
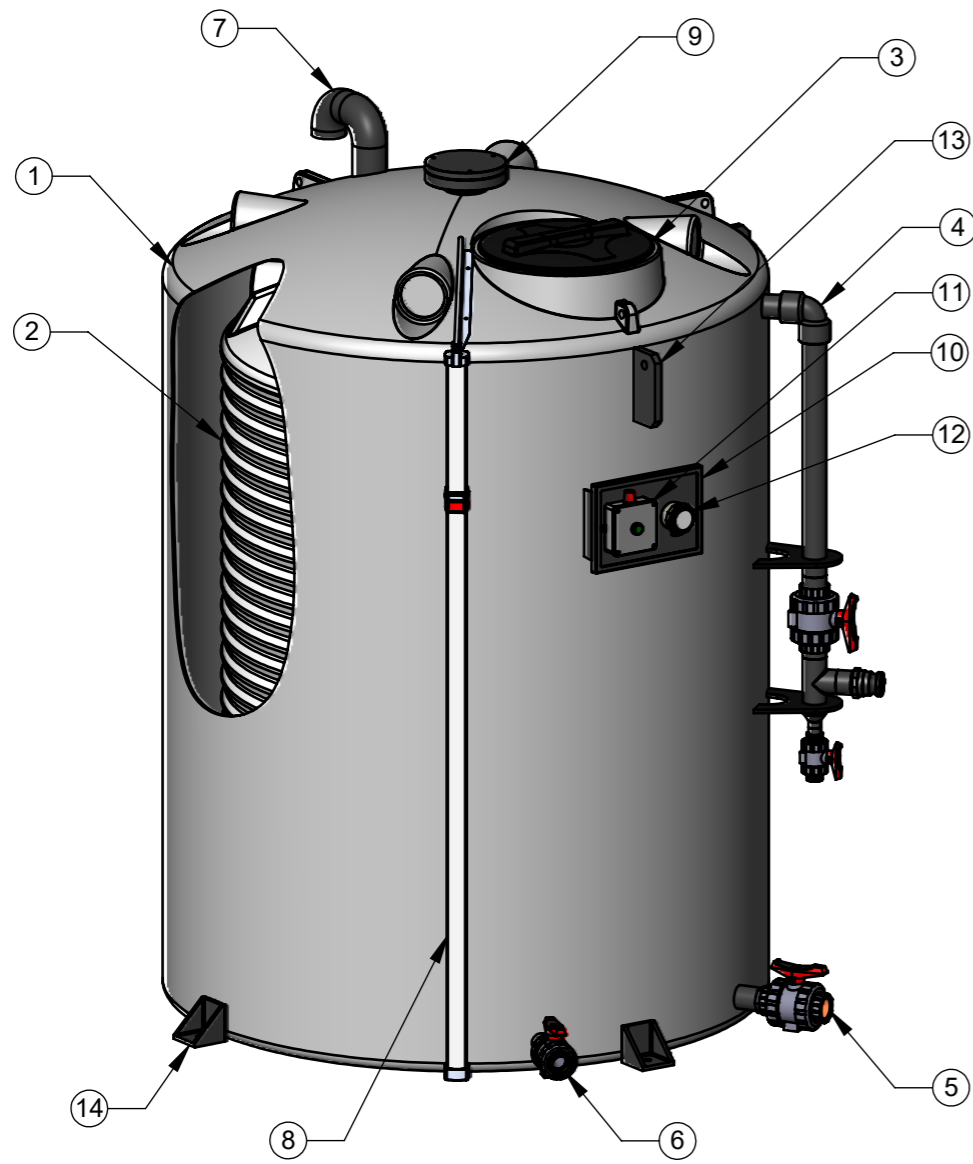


ITEM NO.	Product Code	DESCRIPTION	QTY.
1	BPST2300L	External Tank	1
2	BPST2300L	Internal Tank	1
3	SL8-NV	Screw Lid Assembly 455mm - No Vent	1
4	TFA-50V	Top Fill Assembly	1
5	S-MTA63X50-600-OV	50mm Tank Outlet c/w 2 Inch PVC-U Ball Valve	1
6	S-MTA50X40-BDV	40mm Bund Drain c/w 1.5 Inch PVC-U Ball Valve	1
7	SCV90	Shepherds Crook Vent 90PE	1
8	LQ01	Liquidator - Mechanical Level Indicator	1
9	S-LS110-300	Level Transmitter Mount	1
10	NPP-F	Name Plate Panel	1
11	S-GIZOFA-300	High Level Alarm - Gizmo (Battery)	1
12	S-BA-I	Bund Alarm - (Battery)	1
13	LLUG	Lifting Lug HDPE	4
14	BDL100	Bolt Down Lug 100mm	4



PLAN VIEW



SIDE VIEW

NOTE: ALL TOLERANCES UNLESS OTHERWISE STATED  $\pm 10\text{mm}$  /  $\pm 1^\circ$   
DO NOT SCALE, USE DIMENSIONS. ALL DIMENSIONS ARE IN mm

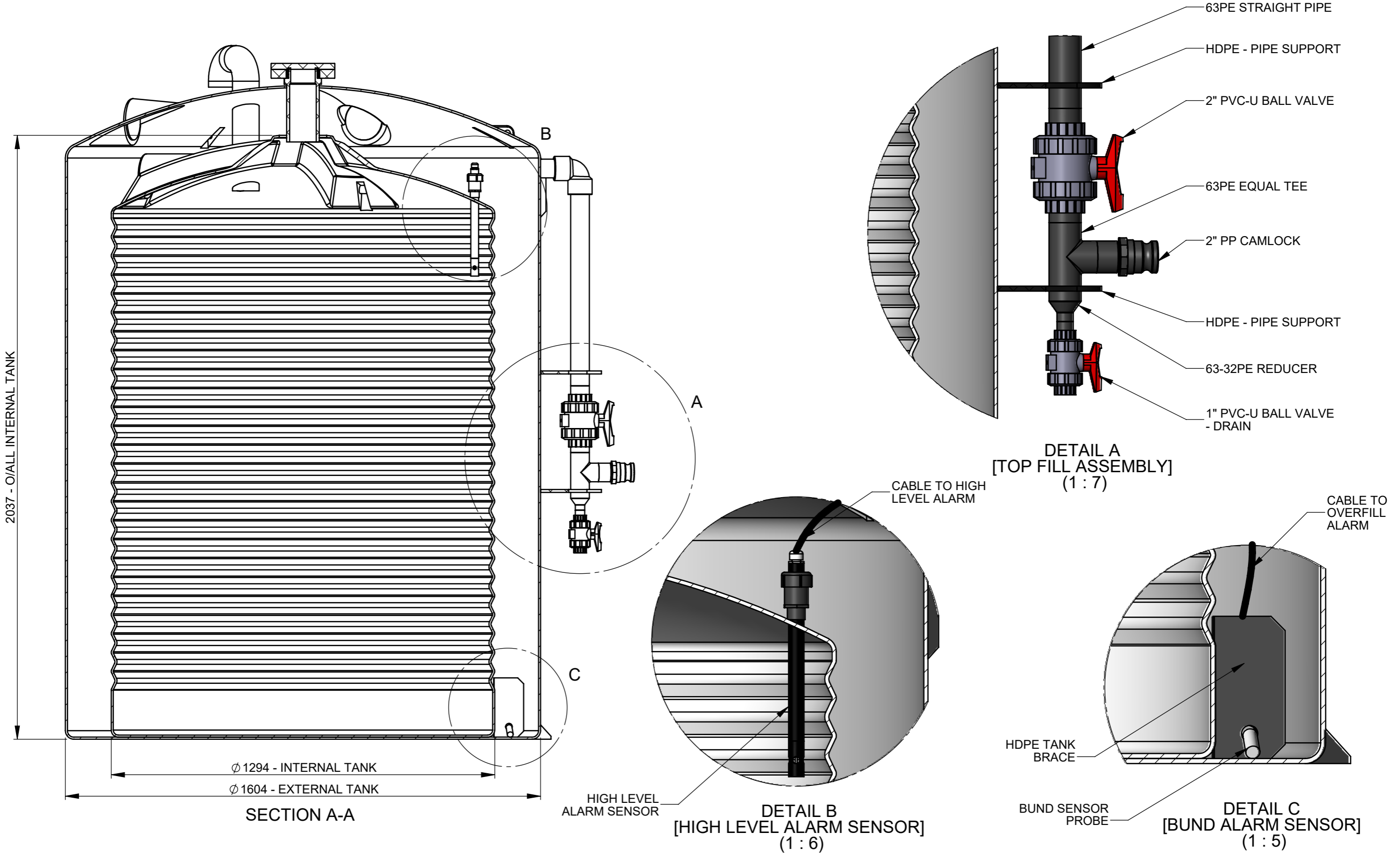
This drawing is the property of Polymaster Group Pty. Ltd. It cannot be copied in part or in full without the written permission of Polymaster Group Pty. Ltd.



161 KARINIE STREET  
SWAN HILL. VIC.  
3585  
Ph: (03) 5033 9000  
Fx: (03) 5033 0224

DESCRIPTION	2,300L Self-Bunded Tank	<b>A3</b> SHEET SIZE	SCALE: NTS
PRODUCT CODE	BPST2300		
MATERIAL	OPTIONAL		
COLOUR	LIGHT GREY		
© POLYMASTER GROUP		DRAWN	AC 13-May-19 1/2 Rev: B

NOTE: ALL VIEWS FOR REPRESENTATIONAL PURPOSES ONLY



NOTE: ALL TOLERANCES UNLESS OTHERWISE STATED ±10mm / ±1°  
 DO NOT SCALE, USE DIMENSIONS. ALL DIMENSIONS ARE IN mm

This drawing is the property of Polymaster Group Pty. Ltd. It cannot be copied in part or in full without the written permission of Polymaster Group Pty. Ltd.



161 KARINIE STREET  
 SWAN HILL, VIC.  
 3585  
 Ph: (03) 5033 9000  
 Fx: (03) 5033 0224

DESCRIPTION	2,300L Self-Bunded Tank
PRODUCT CODE	BPST2300
MATERIAL	OPTIONAL
COLOUR	LIGHT GREY
© POLYMASTER GROUP	

SCALE: NTS	<b>A3</b> SHEET SIZE			
			DRAWN	AC