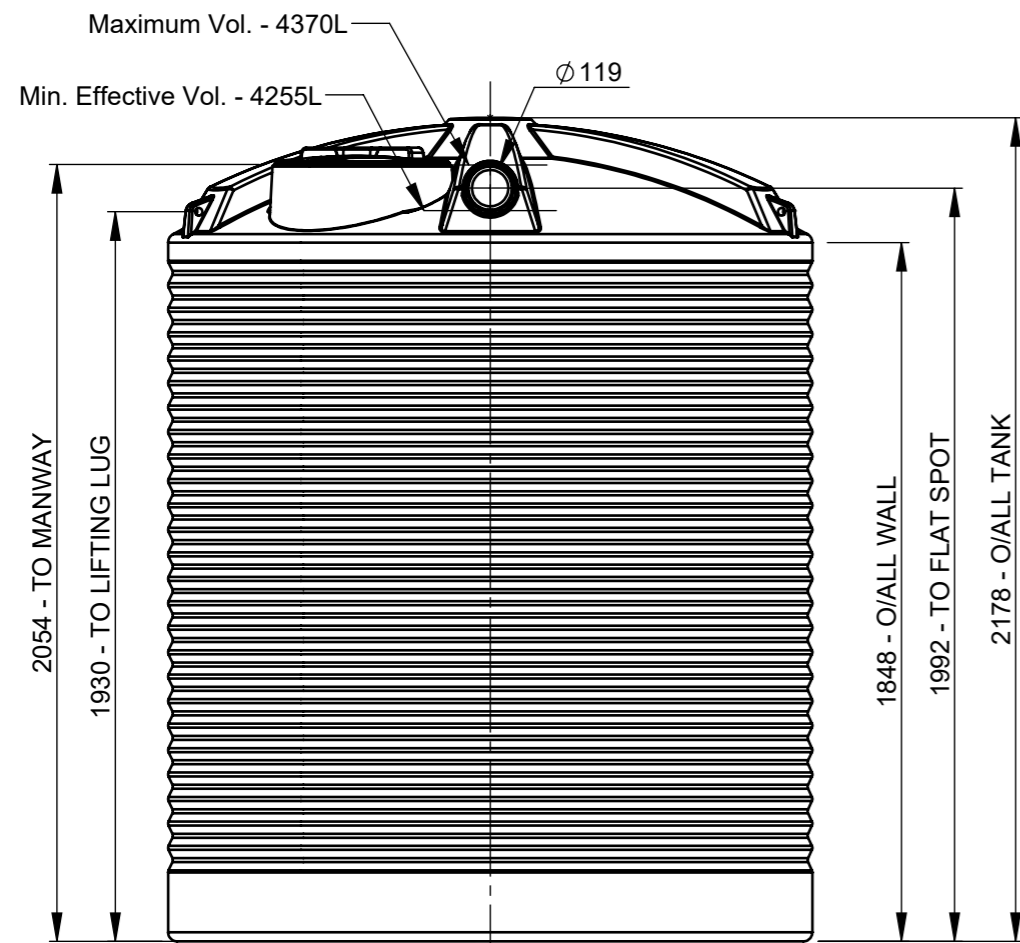
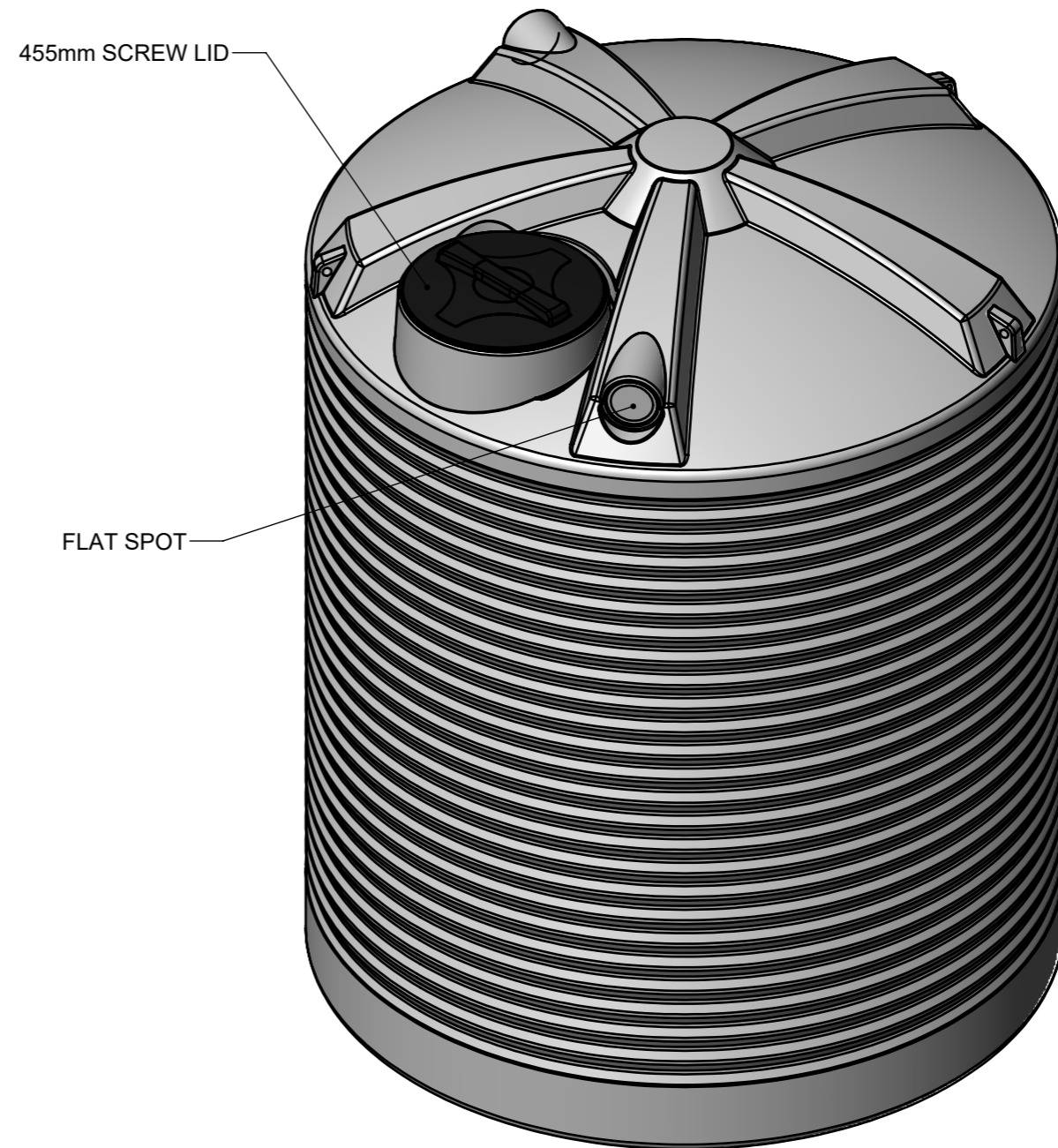


PLAN VIEW



FRONT VIEW



PICTORIAL VIEW

NOTE: ALL TOLERANCES UNLESS OTHERWISE STATED $\pm 10\text{mm} / \pm 1^\circ$
DO NOT SCALE, USE DIMENSIONS. ALL DIMENSIONS ARE IN mm

This drawing is the property of Polymaster Group Pty. Ltd. It cannot be copied in part or in full without the written permission of Polymaster Group Pty. Ltd.

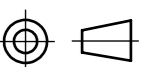


161 KARINIE STREET
SWAN HILL. VIC.
3585
Ph: (03) 5033 9000
Fx: (03) 5033 0224

DESCRIPTION	4,500L Chemical/Process Water Tank
PRODUCT CODE	PST4500T
MATERIAL	POLYETHYLENE
COLOUR	OPTIONAL

A3
SHEET SIZE

SCALE: NTS



© POLYMASTER GROUP

DRAWN

JT

10-May-18

1/1 Rev: A