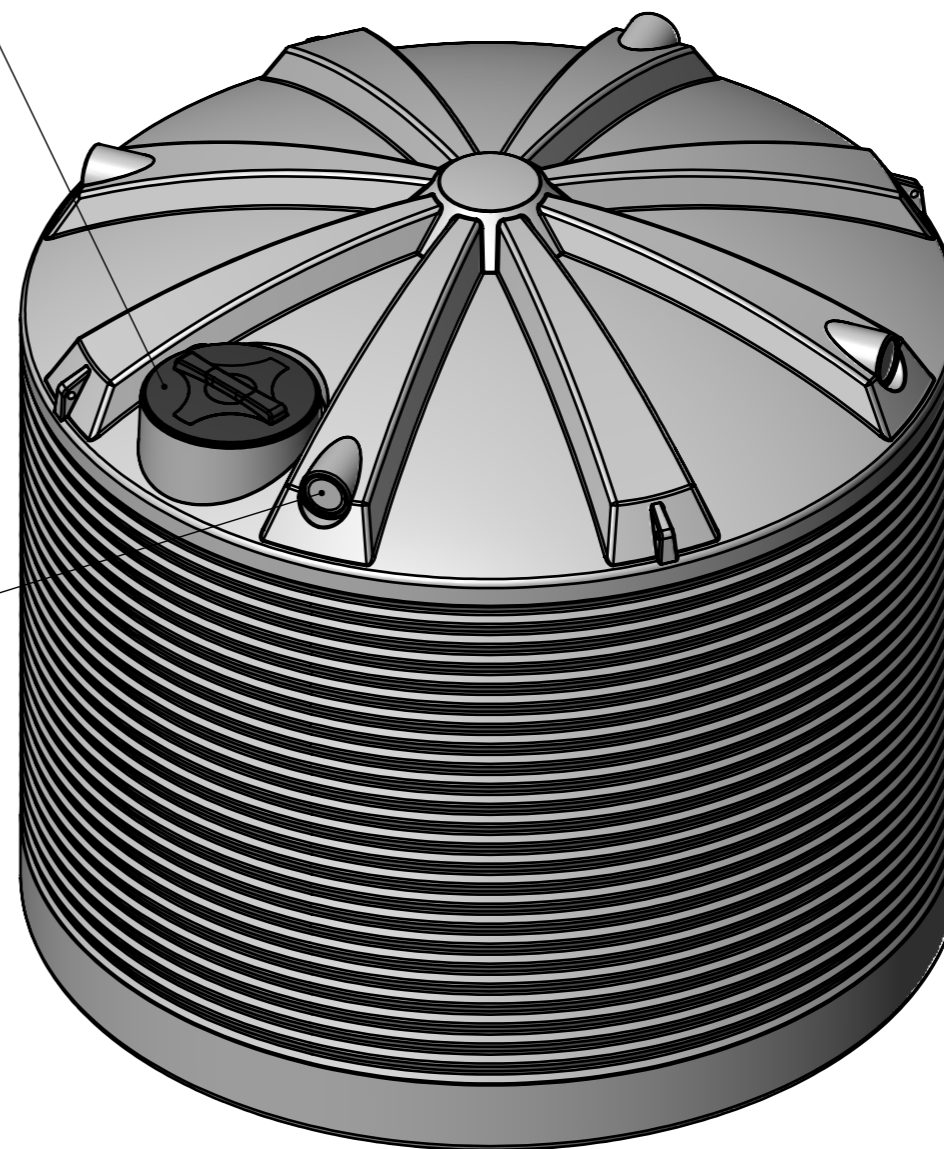
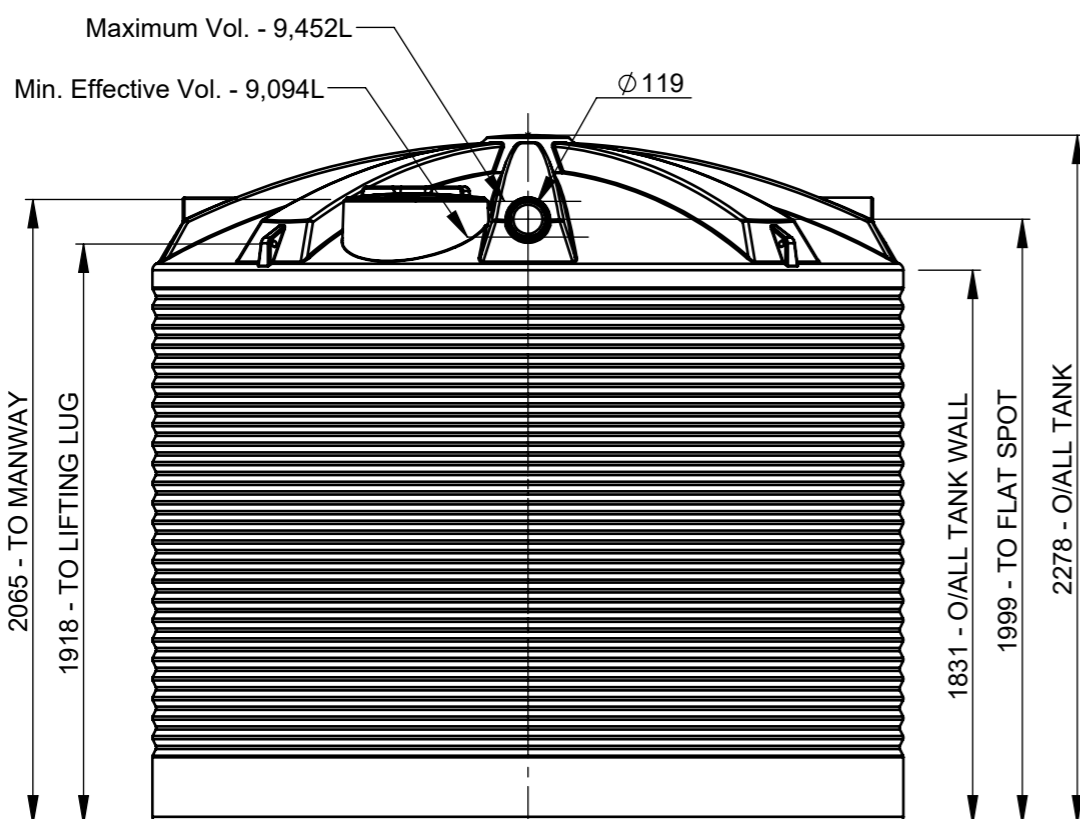


PLAN VIEW

455mm SCREW LID



PICTORIAL VIEW



FRONT VIEW

NOTE: ALL TOLERANCES UNLESS OTHERWISE STATED  $\pm 10\text{mm}$  /  $\pm 1^\circ$   
DO NOT SCALE, USE DIMENSIONS. ALL DIMENSIONS ARE IN mm

This drawing is the property of Polymaster Group Pty. Ltd. It cannot be copied in part or in full without the written permission of Polymaster Group Pty. Ltd.



161 KARINIE STREET  
SWAN HILL. VIC.  
3585  
Ph: (03) 5033 9000  
Fx: (03) 5033 0224

DESCRIPTION	9,000L Chemical/Process Water Tank
PRODUCT CODE	PST9000
MATERIAL	POLYETHYLENE
COLOUR	OPTIONAL

**A3**  
SHEET SIZE

SCALE: NTS



© POLYMASTER GROUP

DRAWN

JT

11-May-18

1/1 Rev: A