



FUEL MANAGEMENT SYSTEMS



DISPENSERS



KITS



PUMPS



METERS



NOZZLES

# ST BOX

## FEATURES

- STURDY STRUCTURE
- LOCKABLE AND SAFE
- READY TO USE
- FILTRATION GUARANTEED
- NOZZLE CONTACT (PRO VERSION ONLY)

The PIUSI ST BOX is a diesel refueling station complete with pump, flow meter and filter, with lockable metal protection box. The unit is complete with antistatic hose for diesel fuel and automatic dispensing nozzle. The Pro version features the electronic access control box ACCESS 85.

### PERFORMANCE

UP TO

**90 L/MIN**

FLOW RATE

**AC**

CONTINUOUS DUTY

POWER

**± 1%**

ACCURACY



### PACKAGING

CODE	WEIGHT		PACKAGING		
	KG	LBS	MM	INCH	PCS/BOX
<b>WITHOUT ACCESS 85</b>					
00036700B					
00036900B					
FO0365020					
FO0365060					
FO0365050	36	72	575X320X607	22,6X12,6X23,9	1
FO0365POA	40	88	575X320X607	22,6X12,6X23,9	1
FO039900A	50	110	590X340X720	23,2X13,4X28,3	1
<b>WITH ACCESS 85</b>					
FO0365010	40	88	575X320X607	22,6X12,6X23,9	1



FILTRATION



TANK MONITORING



HOSE REEL



ACCESSORIES



MERCHANDISE



AIR



ANTIFREEZE



AdBlue®



BIODIESEL



DIESEL



FOOD



GASOLINE



GREASE



KEROSENE



OIL

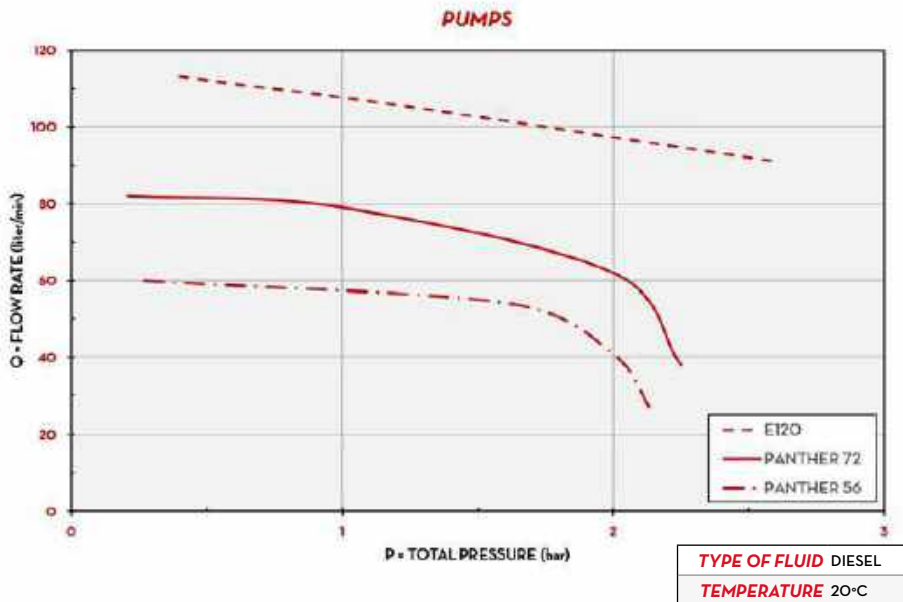


WATER

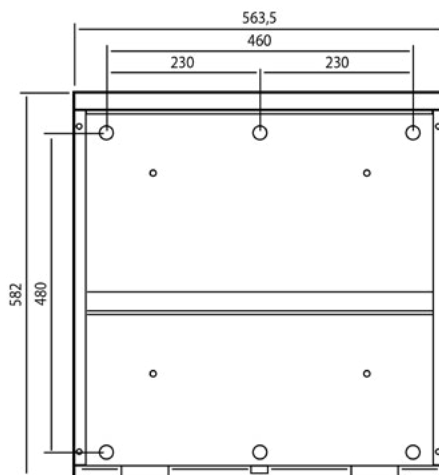


WINDSCREEN

## CHART



## DIMENSIONS



Dimensions expressed in millimeters

## IN THE BOX

- ST BOX UNIT
- METER
- FILTER
- DELIVERY HOSE
- NOZZLE
- INSTRUCTION MANUAL

## DETAILS



K33 MECH. METER (pag. 148)



WATER CAPTOR FILTER (pag. 170)



DRIVER&MANAGER KEY



ACCESS 85 (pag. 194)

## COMPONENTS

- **PUMPS:**  
PANTHER AC PAG. 102  
E80/E120 PAG. 106  
BIPUMP PAG. 116
- **NOZZLE:**  
AUTOMATIC NOZZLE PAG. 158
- **METER:**  
K33 PAG. 146  
K24 PAG. 132
- **FILTER**  
WATER CAPTOR PAG. 170
- **ACCESS CONTROL**  
ACCESS85 PAG. 194

## TECHNICAL DATA

CODE	DESCRIPTION	FLUIDS TYPE	FLOW RATE		VOLTAGE			PUMP	METER	NOZZLE	FILTER	HOSE		INLET	
			L/MIN	GPM	AC V/HZ	DC VOLT	POWER WATT					AMP. MAX.	LENGTH		Ø
<b>WITHOUT ACCESS 85</b>															
00036700B	ST BOX E80/M K33 A80	D	80	21	230/50	500	3,5	E80	K33	A80	NO	4M	1"	1"	
00036900B	ST BOX E120/M K33 A120	D	90	22	230/50	750	5,7	E120	K33	A120	NO	4M	1"	1"	
FO0365020	ST BOX PANTHER 56 BASIC	D	56	15	230/50	350	3	PANTH. 56	K33	A60	YES	6M	1"	1"	
FO0365060	ST BOX PANTHER 72 BASIC	D	70	19	230/50	500	4,2	PANTH. 72	K33	A80	YES	6M	1"	1"	
FO0365050	ST BOX E 120 BASIC	D	90	22	230/50	750	5,7	E 120	K33	A120	YES	8M	1"	1"	
FO0365POA	ST BOX P56/M K33 A60	D	56	15	230/50	350	3	PANTH. 56	K33	A60	NO	4M	3/4"	1"	
FO039900A	ST BOX BIPUMP 12V K33 A120	D	80	21	12	530	44	BIPUMP	K33	A80	NO	4M	1"	1"	
<b>WITH ACCESS 85</b>															
FO0365010	ST BOX PANTHER 72 PRO	D	70	19	230/50	500	4,2	PANTH. 72	A80	AUT.	YES	6M	1"	1"	

PRO VERSION ONLY

# ST BOX