

LIFTING PLAN – 13KL to 30KL SELF BUNDED TANKS

Recommendations for lifting 13KL to 30KL SELF BUNDED Industrial Tanks.

SELF BUNDED 13KL to 30KL Tanks will only be despatched on their bases and will NOT be transported on a pallet.

- The 21 & 30KL tank/s will be fitted with M12 S/Steel D-Shackles to all MOULDED lifting lugs.
 - These MOULDED Lugs are intended for BOTH securing the tank to the truck for transport AND to lift the tank during unloading and positioning.
- The 13KL tank/s will be fitted with M12 S/Steel D-Shackles to all WELDED lifting lugs.
 - These WELDED Lugs are intended for BOTH securing the tank to the truck for transport AND to lift the tank during unloading and positioning.
 - ONLY USE the Lifting Lugs that have been WELDED to the tank walls and/or Cabinet.
- A spreader bar arrangement should always be used, so that the slings are vertical. See **example** below.
- We recommend using lifting slings/chains that are rated to at least 2000kg.
- Guide ropes are recommended to assist with moving & stabilization.

Plan the lift before commencing & follow your prescribed SWMS / SOP's etc.

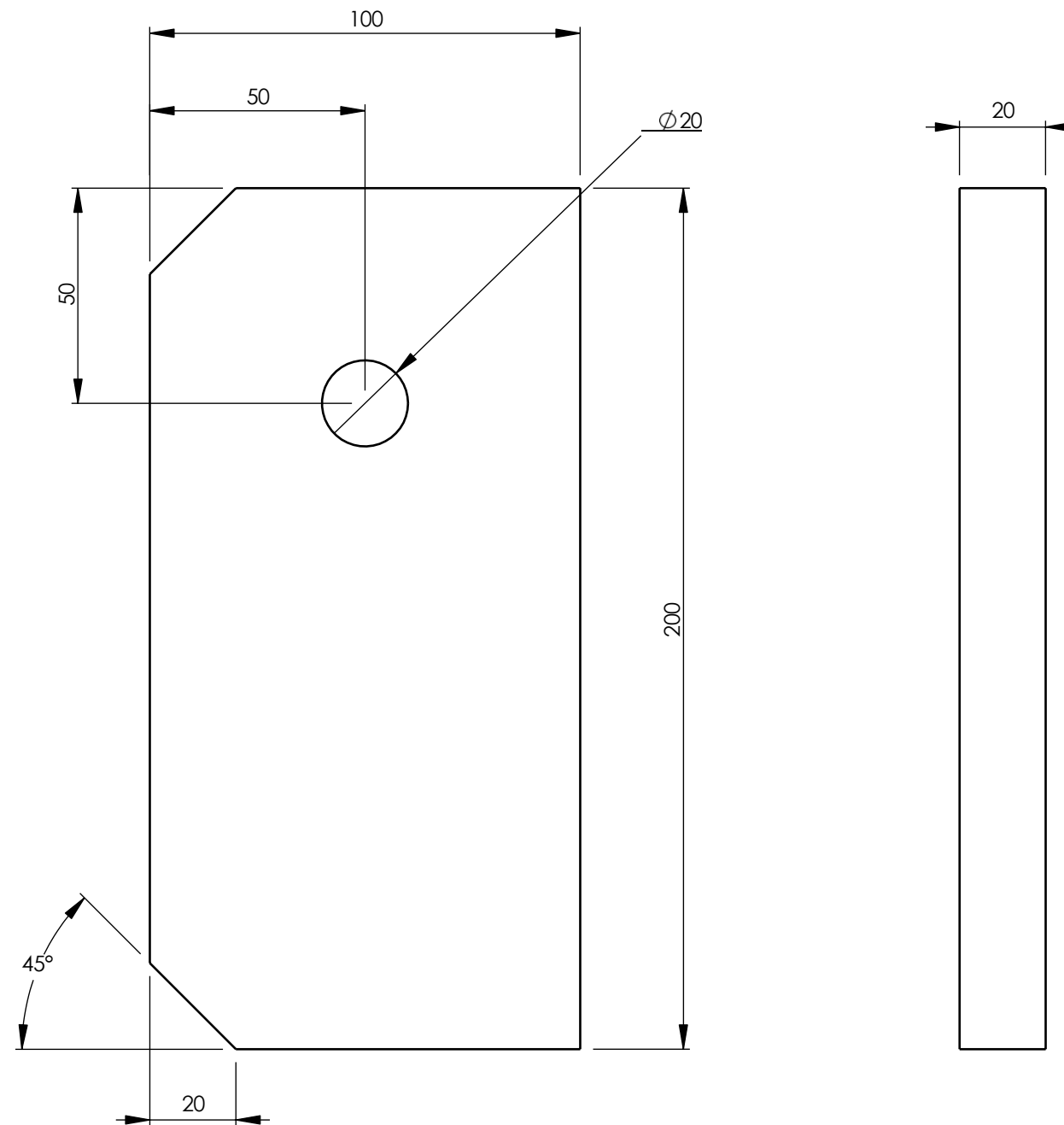
Untie the tank from the truck and attach the straps to spreader bar and lifting lugs. Gently raise the tank off the truck bed, being mindful of any fittings on the tank or any adjacent tanks. Move the tank to an area with enough level ground to accommodate the tank. You may find this easier with the use of guide ropes.

DO NOT keep the tank suspended for long periods of time.

THESE ARE GENERAL RECOMMENDATIONS ONLY AND MAY NOT COVER ALL ASPECTS OF THE UNLOADING PROCEDURE.

FOLLOW ALL OF YOUR PRESCRIBED SWMS/SOP's.





**TOLERANCES
(UNLESS OTHERWISE STATED)**

OVER - TO	±	±	±
0-6	0,1	0,2	0,5
6-30	0,2	0,5	1,0
30-100	0,3	0,8	1,5
100-300	0,5	1,2	2,0
300-1000	0,8	2,0	3,0
1000-3000	1,2	3,0	5,0
3000-PLUS	2,0	4,0	8,0
ANGLES	0.25°	0.5°	1°

REV	DRAWN	DATE	PARTICULARS	ECP No

SCALE: 1:1.5 ON A3

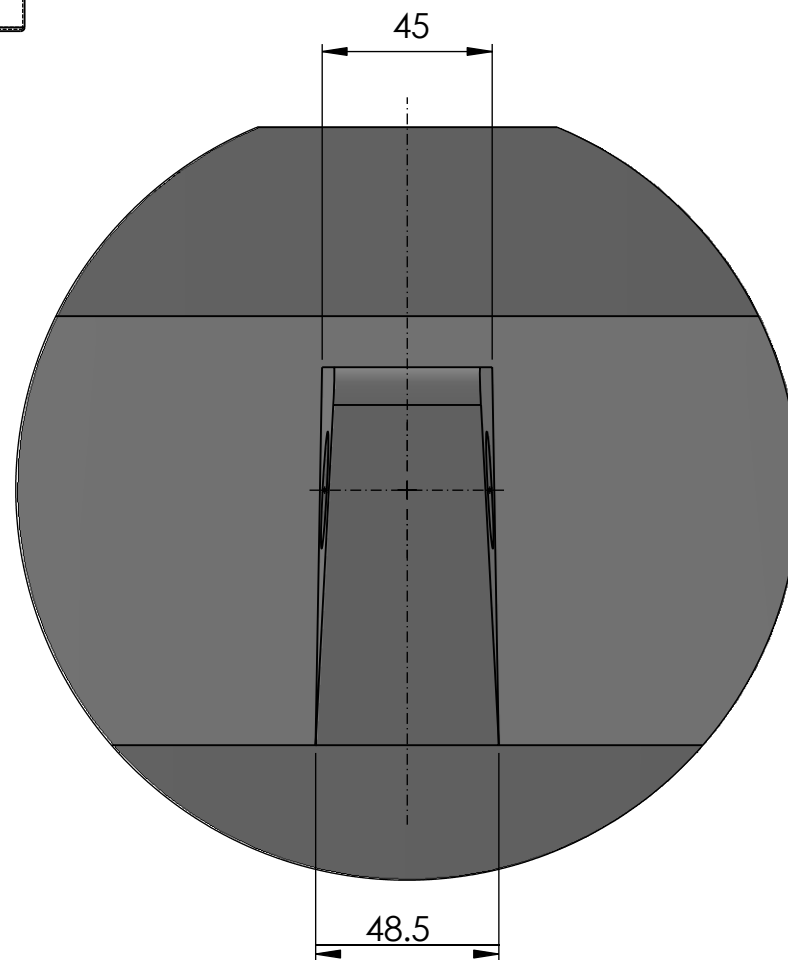
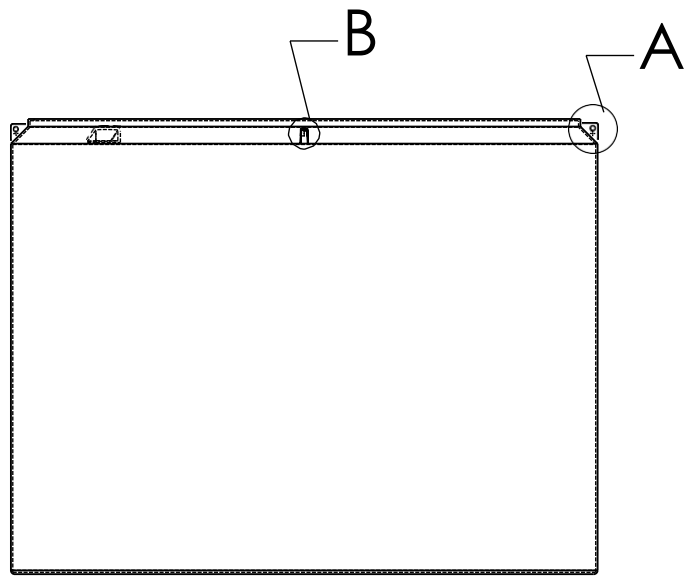
DO NOT SCALE, USE DIMENSIONS.
ALL DIMENSIONS ARE IN mm

© 2015 BY POLYMASTER GROUP

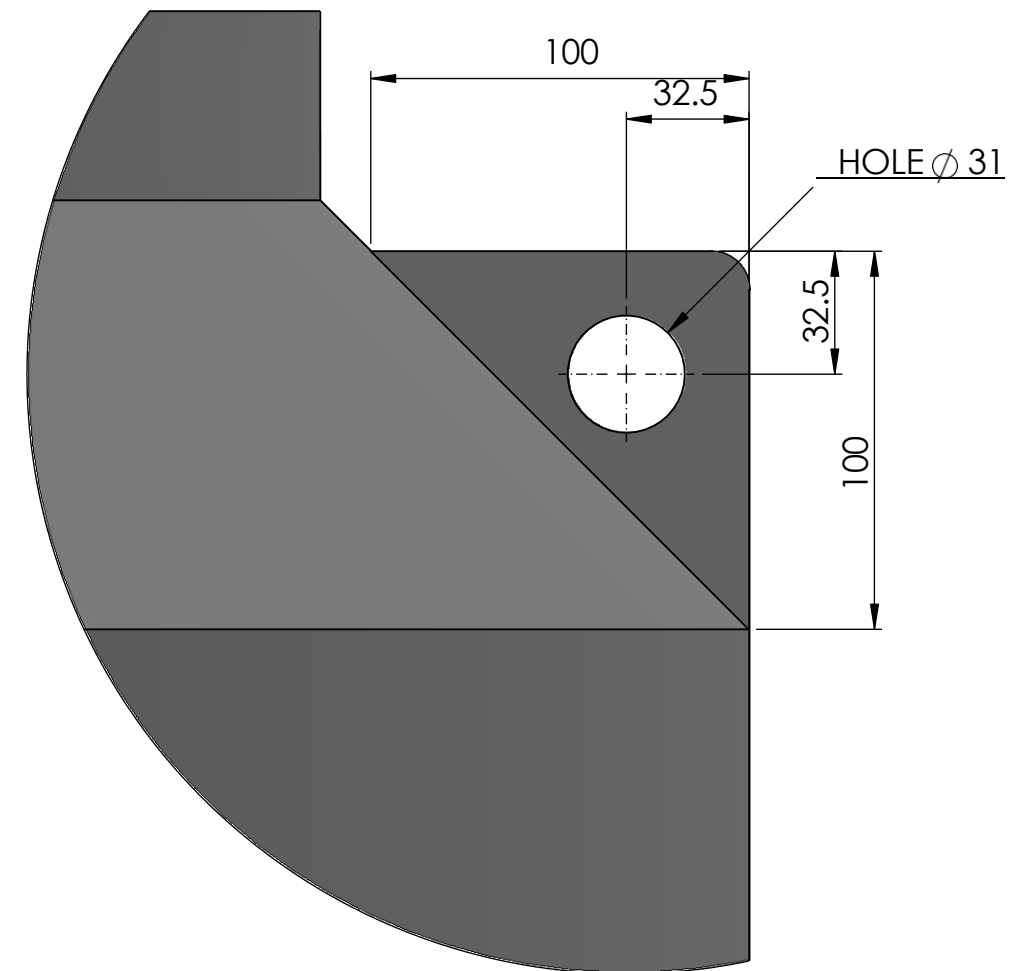
Polymaster

CLIENT: Mdh
DRAWN: Mdh
DATE: 1/02/2016


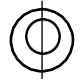
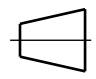
MATL	HDPE	SG	WEIGHT	0 kg
TITLE	HDPE LIFTING LUG			
SUB TITLE	HDPE LIFTING LUG			
DRAWING NO.	Bunded Station Lifting Lug	JOB NO.	HDPE	1/1 Rev: B



DETAIL B
SCALE 1 : 2



DETAIL A
SCALE 1 : 2

				ALL TOLERANCES UNLESS OTHERWISE STATED $\pm 10\text{mm} / \pm 1^\circ$		DO NOT SCALE, USE DIMENSIONS. ALL DIMENSIONS ARE IN mm					
				 161 KARINE STREET SWAN HILL. VIC 3585 Ph. (03) 5033 9000 Fx: (03) 5033 0224		DESCRIPTION		A3 SHEET SIZE		SCALE: 1:50	
						PRODUCT CODE				 	
						MATERIAL		DRAWN		11/10/2018 1 Rev: A	
						COLOUR					
REV	DRAWN	DATE	PARTICULARS	© POLYMASTER GROUP		LEVEL	DRAWING No.				