

## Recommendations for lifting Polymaster 50KL Industrial Tanks.

- PST50KL tanks can be despatched either on their sides or on their base.
- The tank/s will be fitted with M12 S/Steel D-Shackles to all lifting lugs.
- We recommend using lifting slings that are at least 3-4 metres long.
- We recommend using lifting slings that are rated to 2000kg.
- Guide ropes are recommended to assist with moving & stabilization.
- **Plan the lift before commencing & follow your prescribed SWMS/SOP's etc.**

When tanks are transported on their sides, to unload attach 2 x lifting slings to the 2 highest lifting lugs on 1 tank and attach to the crane hook. See Image 1.

Guide ropes can be attached to the 2 lowest lifting lugs.

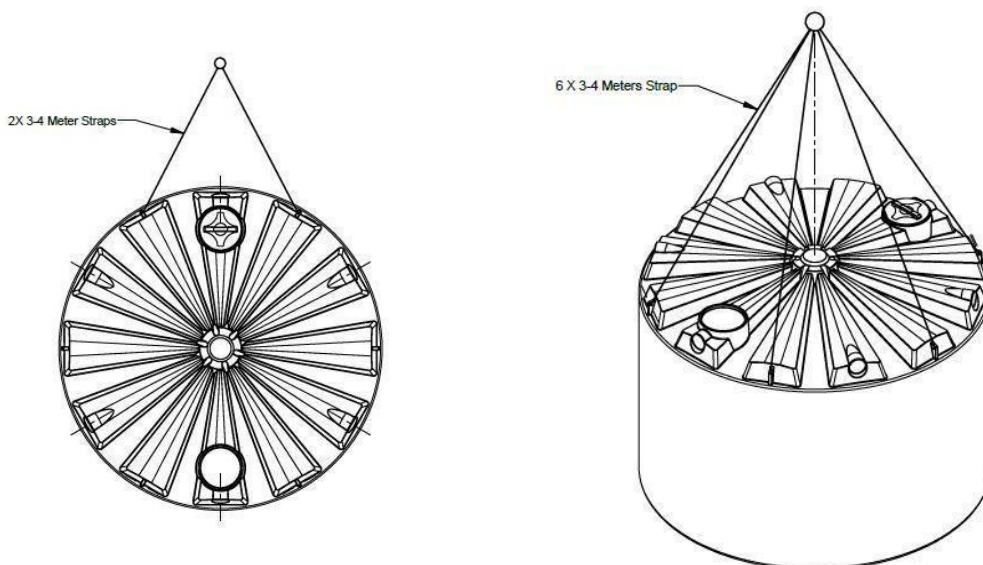
***If tanks are transported on their bases, see image 2 below.***

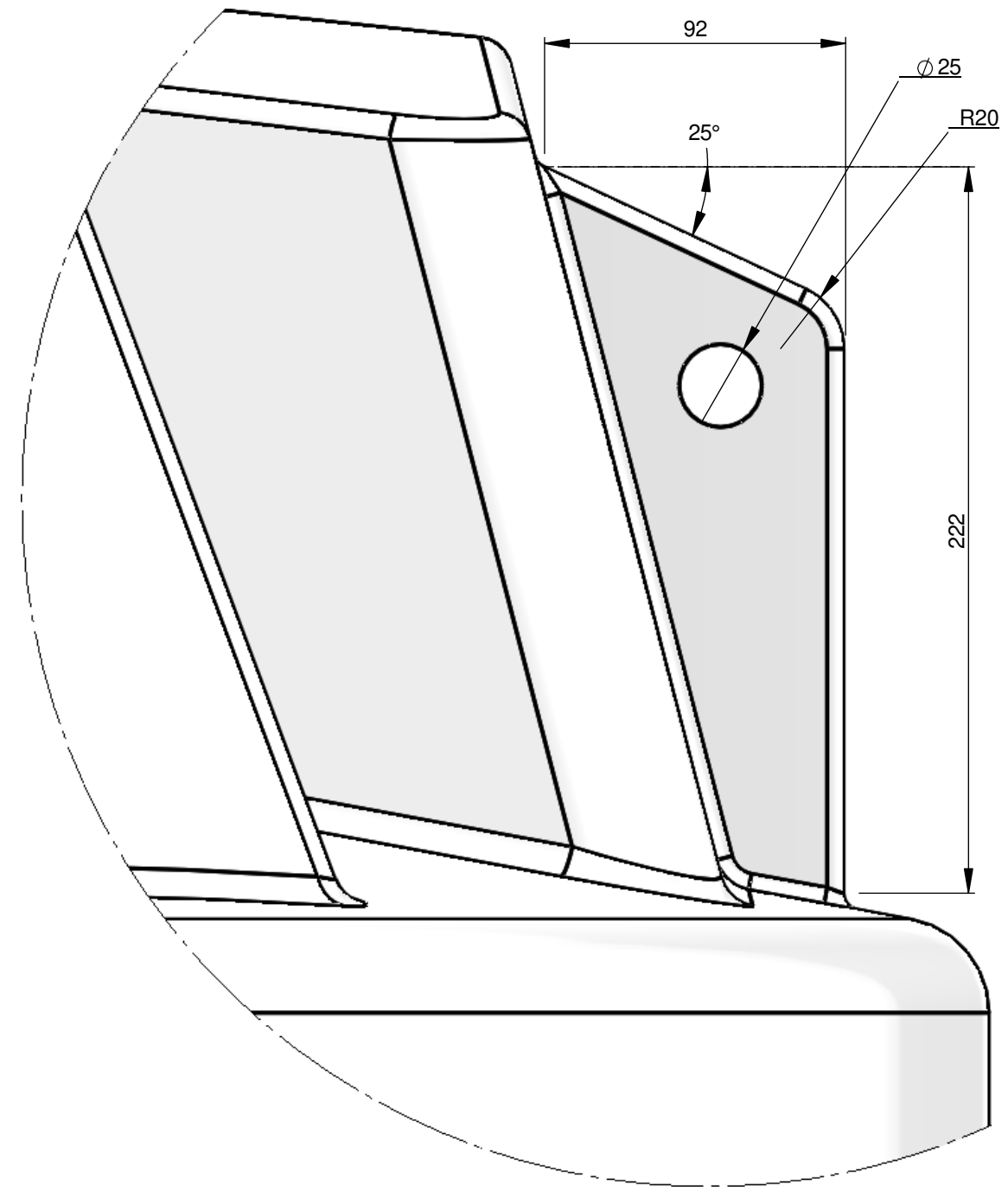
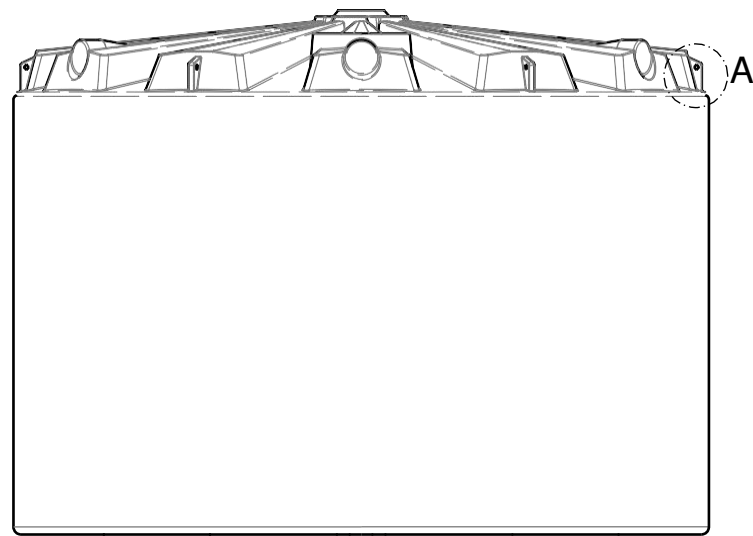
Gently raise the tank off the truck bed, being mindful of any fittings on the tank or any adjacent tanks. Move the tank to an area with enough room to lay the tank on its base. DO NOT keep the tank suspended for long periods of time.

Gently place the tank on its bottom edge and 'pull' with the crane so that it can be lowered onto its base. You may find this easier with the use of guide ropes.

When the tank is on its base you can connect the remaining 4 lifting slings and move the tank to its desired location. See Image 2.

**THESE ARE GENERAL RECOMMENDATIONS ONLY AND MAY NOT COVER ALL ASPECTS OF THE UNLOADING PROCEDURE.  
FOLLOW ALL OF YOUR PRESCRIBED SWMS/SOP's.**





NOTE: ALL TOLERANCES UNLESS OTHERWISE STATED  $\pm 10\text{mm} / \pm 1$   
DO NOT SCALE, USE DIMENSIONS. ALL DIMENSIONS ARE IN mm

This drawing is the property of Polymaster Group Pty. Ltd. It cannot be copied in part or in full without the written permission of Polymaster Group Pty. Ltd.



161 KARINIE STREET  
SWAN HILL. VIC.  
3585  
Ph: (03) 5033 9000  
Fx: (03) 5033 0224

DESCRIPTION	Moulded Lifting Lug 50kL
PRODUCT CODE	
MATERIAL	LLDPE
COLOUR	
© POLYMASTER GROUP	
DRAWN	

<b>A3</b> SHEET SIZE	SCALE: NTS
14-05-18	1/1 Rev: A