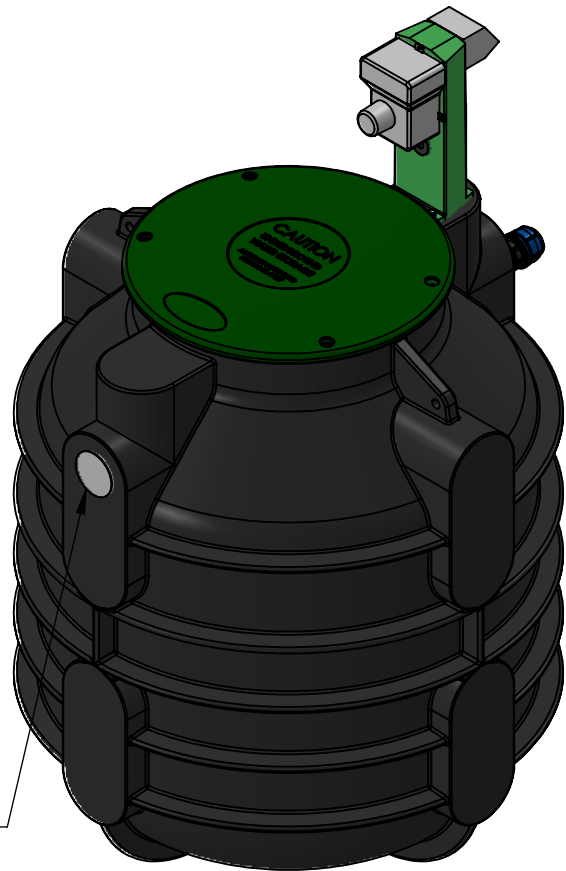
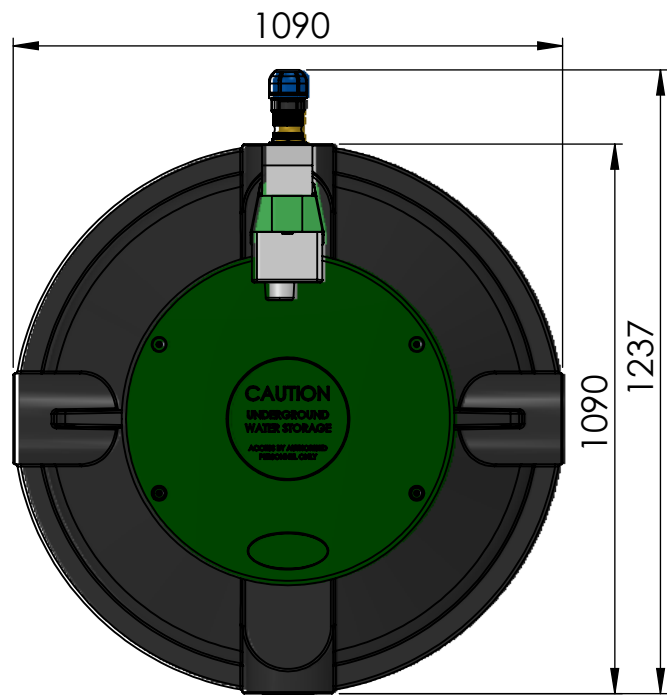
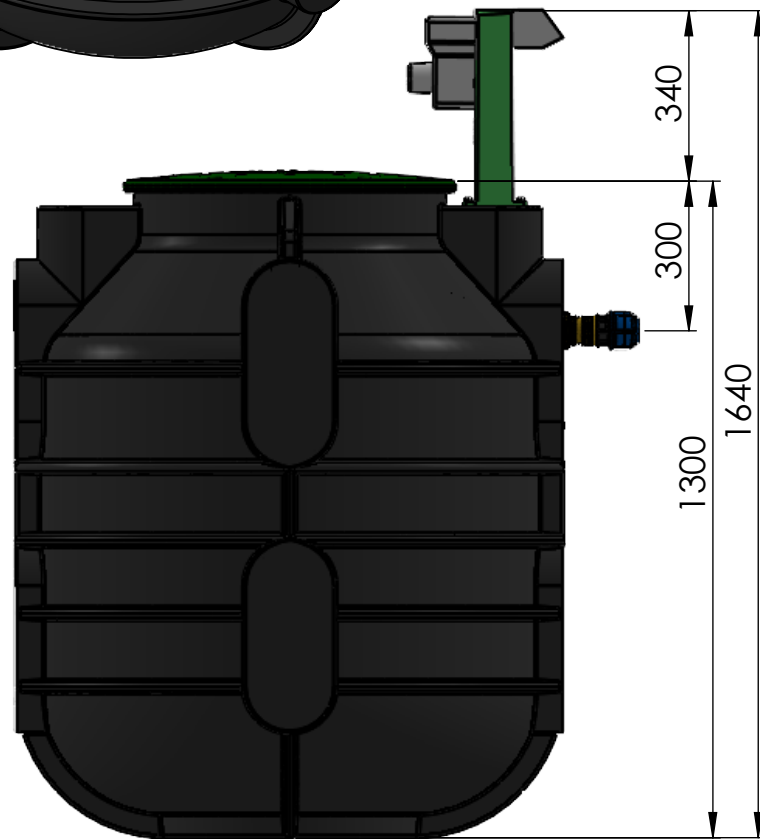
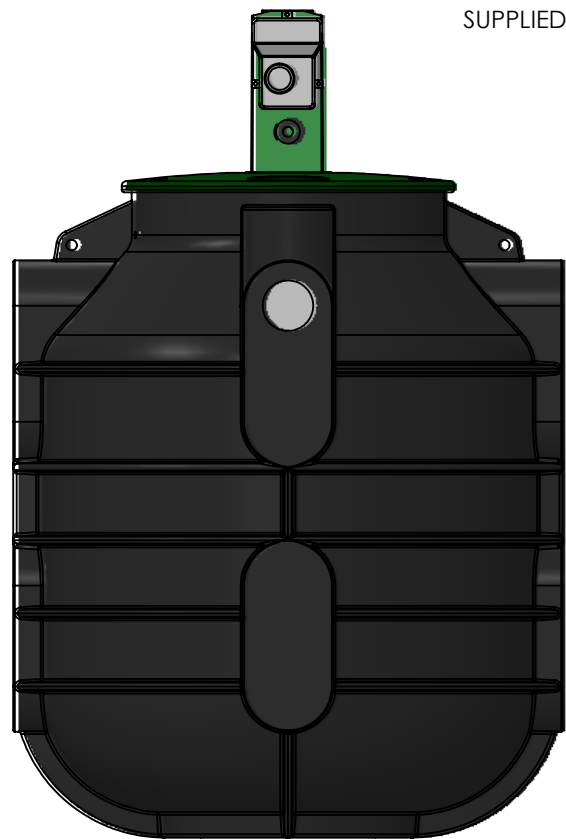


PUMP STATION



INLET SEAL
SUPPLIED LOOSE



HIGH LEVEL ALARM INDICATOR
COMPLETE WITH WARNING LIGHT & SIREN

DOUBLE POWER POINT
WEATHERPROOF IP66

LID

SWING VALVE

FLOAT SWITCH
WEIGHT

ISOLATING
BALL VALVE

FLOAT SWITCH

OUTLET
COMPRESSION FITTING:
40mm X 1 1/2" BSP

BARREL UNION
ALLOWS FOR QUICK DISMANTLE
AND EASY MAINTENANCE OF PUMP

PUMP*
STORMWATER PUMP SHOWN

SECTION THRU TANK SIDE
SCALE 1 : 10

PUMP FLOAT SWITCH

700L MODEL SHOWN

* DRAINAGE PUMP FOR STORMWATER / GREY WATER
GRINDER PUMP FOR SEWER / BLACK WATER ALSO AVAILABLE

DO NOT SCALE, USE DIMENSIONS. ALL DIMENSIONS ARE IN mm

REV	DRAWN	DATE	PARTICULARS
A	JS	5/03/2024	FIRST RELEASE



161 KARINE STREET
SWAN HILL, VIC
3585
Ph. (03) 5033 9000
Fx: (03) 5033 0224

© POLYMASTER GROUP

DESCRIPTION	OVERVIEW OF PUMP STATION
PRODUCT CODE	PS700-STM
MATERIAL	
COLOUR	
LEVEL	A
DRAWING No.	PS700-STM-OVERVIEW

A3	SCALE: 1:15
SHEET SIZE	
DRAWN	JS
DATE	5/03/2024
Rev:	A

